

87 SERIES

Multi Pot Bag Filter Housing



The **87 Series** multi bag housings are designed for use with the Amazon

DuoLine A Series 5½" ring style bags. The top opening style is equipped with a Cast Vee clamp as standard (8703 model only) with the option of Rathmann style bolted closures for pressures up to 10 bar g.

With a bottom outlet connection, the **87 Series** is ideal for batch applications, where free draining and frequent process changes take place.




Widely used in the chemical processing and water treatment world, the **87 Series** housing offers exceptional surface area with maximum economy. The slim line A Series **DuoLine** bags maximise the available area for increased dirt capacity and flow when compared to the more conventional 7" diameter bags. With high build quality and a wide ranging options list, this housing can be used in almost all areas of the liquids processing industry.

The housing will accept the full range of Amazon bags ranging from 1 to 1000µm with nominal lengths of 32" and 48".

Product Features

- Closure options include Vee clamp (8703 only) or bolted style
- Bottom dished end to aid clean down.
- Each housing hydrostatically pressure tested
- Internally and externally electropolished as standard
- Robust bag support basket assembly fabricated from perforated sheet rather than wire mesh for extra strength
- Positive bag seating mechanism to minimise risk of seal bypass
- Wide range of options available for connection sizes and types and materials of construction
- PED and ATEX Compliant



Accessories	Part Number
Pressure Gauge and Vent Valve Kit 	60S000016
Pressure Gauge and Auto Vent Valve Kit 	60S000082
Displacement Pod 	81S011000

Features and Benefits

- Integral vent to aid efficient filter changeout
- Each housing is etched with a unique serial number for full traceability
- Full housing customisation service available

Product Range

Amazon Filters design and manufacture an extensive range of liquid filtration systems, providing one of the widest selections of filtration vessels, depth filters and pleated cartridges available today, ensuring excellent process and filter compatibility. As one of Europe's leading manufacturers of filtration systems, Amazon Filters is able to offer a solution to meet all filtration requirements. Amazons' filters are manufactured in clean room conditions and all products come with detailed Product Validation Guides and Technical Support documentation.



AMAZON

87 Series Technical Data

Maximum Operating Conditions

Pressure Range:	Vee clamp	Screw clamp
Liquid:	7 bar g	FV / 10 bar g
Gas Group 2:	1 bar g	*FV / 1 bar g
* 8703 only		
Temperature Range:	-10°C / 150°C - 8703	
	-10°C / 110°C - 8705	

Materials of Construction

Body:	8703 316L St.Steel	8705 316L St.Steel, 304 St. Steel
Closure:	Cast Clamp - 304 St. Steel* ¹ Screw clamps - Zinc plated carbon steel (Optional stainless steel)	

Finish

Vessel:	8703 Electropolished	8705 Bead Blasted
Basket:	Pickled	Pickled

Connections

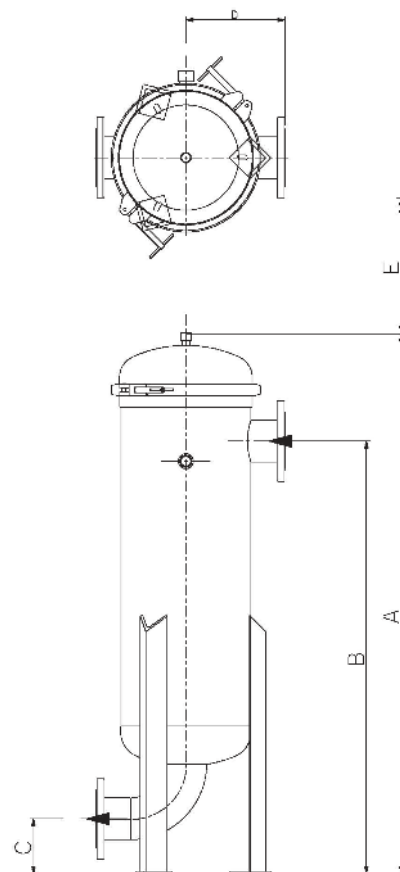
Inlet / Outlet:	8703 4" Flange	8705 6" Flange
-----------------	--------------------------	--------------------------

Model	Dimensions					Volume (Litres)	Dry Weight (kg)
	A	B	C	D	E		
87032AAB40C1EE	1478	1183	150	-	600	113	76.2
87033AAB40C1EE	1798	1503	150	-	900	144	87.6
87052AJB60C1BE	1553	1371	200	320	750	191	232
87053AJB60C1BE	1873	1691	200	320	1050	242	246

PED Status: Compliant with 2014/68/EU
Liquids Group 1 + 2

Marking: CE
Exceptions: Group 1 liquids - Explosive

ATEX: Compliant with 2014/34/EU, level CE Ex II 2 GD c X
Technical drawings for each individual housing showing dimensions, volume, weights, maximum temperatures and design pressures available on request.



Ordering Guide

8703	2	A	A	B	40	C	1	E	E
No of Bags	Bag Length	Bag Collar Style/Size	Closure Style	Mounting	Connection	Connection Type	Materials	Finish	Seal
8703 - 3 Bag 8705 - 5 Bag	2 - Double 3 - Triple	A - Amazon 5½" H - Ferrostik (magnetic insert)	A - Cast Vee Clamp* ¹ E - Lid with Screw Clamps* ¹ J - Flat Cover with Screw Clamps and Davit* ²	B - Fixed Legs	30 - 3" * ¹ 40 - 4" * ¹ 60 - 6" * ²	C - EN1092-1 Flange PN16 G - Table E Flange H - ASME Flange 150# K - Stub Pipe S - DIN2633 Flange	1 - 316 St. Steel (L Grade) 2 - 304 St. Steel * ²	E - Electropolished* ¹ B - Bead Blast* ²	E - EPDM F - FEP / Silicon (flat cover only) S - Silicone V - Viton

Example: 87032AAB40C1EE = **87 Series**, 3 pot double length bag, Amazon 5½" bag collar, cast vee clamp closure, fixed leg mounting 4" EN1092-1 Flange PN16 connections. 316L St.Steel with an electropolished finish and EPDM seals.
*¹ 8703 only *² 8705 only

AMAZON FILTERS LTD.

Albany Estate, Camberley, Surrey, GU16 7PG, ENGLAND

Tel: +44 (0) 1276 670 600 Email: sales@amazonfilters.co.uk Web: www.amazonfilters.com