

86A SERIES


Bag Filter Housing

The **86A Series** has been designed to meet the demands of most liquid processing applications where bag filters have been selected. Our novel cast head incorporates an integral one piece inlet connection with top mounted vent point.

The robust construction suits all areas in chemical and liquid processing plants. With minimal product hold up volumes and easy access to the disposable filter bag via the retained hinged lid, operators will always favour this style of housing when given a choice. Safety is also greatly improved for hazardous or high temperature fluids. The top entry, bottom outlet configuration holds almost 20% less in volume than the conventional side entry housing.

The **86A Series** filter assembly offers a cost effective and practical filtration solution for most liquid applications.

Available in 316L Stainless Steel it is suitable for operating at pressures of up to 10 bar g at 150°C and has a flow capacity of up to 30m³/Hr. Two housing sizes are available for the 7" diameter bags, P1 (16") single length and P2 (32") double length. Our perforated basket accommodates most standard commercially available filter bags found on the market today including steel ring, molded polypropylene and many other types.

Accessories	Part Number
Pressure Gauge and Vent Valve Kit	60S000016
Single Displacement Pod 	80S011S01
Double Displacement Pod	80S012S01
Vent Valve	60S000010
Dirty drain Valve	60S000011



Features and Benefits

- Investment cast top cover and inlet connection
- Swing bolt assemblies with eye nuts
- Vent tapping point on cover
- Wide range of options available for connection sizes and types
- Each housing is etched with a unique serial number for full traceability
- Housing customisation services available
- Dirty drain point

Product Range

Amazon Filters design and manufacture an extensive range of liquid filtration systems, providing one of the widest selections of filtration vessels, depth filters and pleated cartridges available today, ensuring excellent process and filter compatibility. As one of Europe's leading manufacturers of filtration systems, Amazon Filters is able to offer a solution to meet all filtration requirements. Amazons' filters are manufactured in clean room conditions and all products come with detailed Product Validation Guides and Technical Support Documentation.



86A Series Technical Data

Maximum Operating Conditions

Pressure Range:	Liquid:	FV / 10 bar g
	Gas Group 2:	FV / 4.5 bar g
Temperature Range:	-10°C / 150°	

Materials of Construction

Body and Closure:	316L St.Steel
Bolting:	Carbon Steel

Finish

Vessel:	Bead blasted inside and out
Swing Bolts:	Zinc plated carbon steel (Optional Stainless Steel)

Connections

Inlet / Outlet:	2" BSPM/Flange
Vent:	¼" BSPF with Plug

Model	Dimensions					Volume (Litres)	Dry Weight (kg)
	A	B	C	D	E		
86A11UHC20A1BE	464	-	180/315	170	350	13.8	24
86A12UHC20A1BE	824	-	0/315	170	700	25	29.5

PED Status:

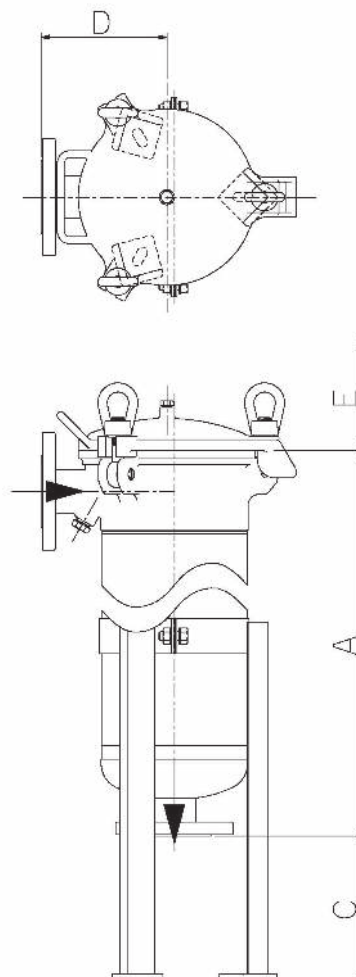
Fluid Groups:	Compliant with 2014/68/EU
	Liquids Group 1 + 2
	Gas Group 2

Marking:	CE
Exceptions:	Group 1 liquids - Explosive

ATEX:

Compliant with 2014/34/EU, level CE Ex II 2 GD c X

Technical drawings for each individual housing showing dimensions, volume, weights, maximum temperatures and design pressures available on request.



Ordering Guide

86	1	U	H	C	20	C	1	B	V
No of Bags	Bag Length	Bag Collar Style/Size	Bolting	Closure	Connection	Connection Type	Materials	Finish	Seal
A1 - 1 Bag	1 - Single 2 - Double	U - Universal (7") T - Universal (7") + Perforated Base N - No Basket	H - Zinc Plated Carbon Steel Swing Bolts W - St.Steel Swing Bolts	C - Adjustable Legs (standard) N - No legs	20 - 2"	A - BSPM C - EN1092-1 Flange PN16 H - ASME Flange 150#	1 - 316 St. Steel (L Grade)	B - Bead Blasted	E - EPDM V - Viton F - FEP / Silicone S - Silicone G - FEP / Viton

Example: 86A11UHC20C1BV = 86A Series, Single length bag, Universal 7" bag collar, Hinged cover with swing bolts, Mounted on Adjustable Legs, 2" EN1092-1 Flange PN16 connections. 316L St.Steel with bead blasted finish and Viton seals.

AMAZON FILTERS LTD.

Albany Park Estate, Camberley, Surrey, GU16 7PG, ENGLAND

Tel: +44 (0) 1276 670 600 Email: sales@amazonfilters.co.uk Web: www.amazonfilters.com