

82 & 83 SERIES



5 1/2" Bag Filter Housing

The **82 & 83 Series** bag housings are designed for use with the **DuoLine A Series** 5 1/2" ring style bags. The top opening style is equipped with a Cast Vee clamp as standard with the option of Rathmann style bolted closures for pressures up to 10 bar g.

These housings will accept the full range of Amazon standard A Series bags ranging from 1 to 1000µm with nominal lengths of 16" and 32".

The **82 Series** is free standing with side inlet and outlet connections. These small diameter filter housings offer great flexibility in terms of high flow and limited floor space requirements.

Use of the inverted dished end style free standing **82 Series** housing is ideally suited to continuous process operations where economy and low volume hold up is paramount.

The **83 Series** is infinitely flexible with adjustable legs and bottom outlet connection, making it ideal for batch applications, where free draining and frequent process changes take place.

Product Features

- Internally and externally electropolished as standard





- Robust bag support basket assembly fabricated from perforated sheet rather than wire mesh for extra strength
- Positive bag seating mechanism to minimise risk of seal bypass
- Wide range of options available for connection sizes and types and materials of construction
- Rated to 10 bar g liquid

82 Series housings feature:

- Vee clamp or bolted style closures
- Inverted dished end
- PED and ATEX Compliant

83 Series housings feature:

- Vee clamp or bolted style closures
- Conventional dished end to aid clean-down
- Each housing hydrostatically pressure tested
- PED and ATEX Compliant

Accessories	Part Number
Pressure Gauge and Vent Valve Kit 	60S000016
Pressure Gauge and Auto Vent Valve Kit 	60S000082
Displacement Pod 	81S011000
Ball Valve and Nipple 	60S000010



Features and Benefits

- Integral vent to aid efficient filter changeout
- Each housing is etched with a unique serial number for full traceability
- Full housing customisation service available
- Internally and externally electropolished as standard

Product Range

Amazon Filters design and manufacture an extensive range of liquid filtration systems, providing one of the widest selections of filtration vessels, depth filters and pleated cartridges available today, ensuring excellent process and filter compatibility. As one of Europe's leading manufacturers of filtration systems, Amazon Filters is able to offer a solution to meet all filtration requirements. Amazon's filters are manufactured in clean room conditions and all products come with detailed Product Validation Guides and Technical Support documentation.



82 & 83 Series Technical Data

Maximum Operating Conditions

Pressure Range:	Cast clamp	Screw clamp
Liquid:	10 bar g	FV/10 bar g
Gas Group 2:	7.5 bar g	FV/7.5 bar g
Temperature Range:	-10°C / 150°C	-10°C / 150°C

Materials of Construction

Body:	316L St.Steel
Closure:	Cast clamp - 304 St. Steel
	Screw clamps - Zinc plated carbon steel (Optional stainless steel)

Finish

Vessel:	Electropolished
Basket:	Pickled

Connections

Inlet / Outlet:	2" BSPM
Vent:	¼" BSP
Drain:	½" BSPM (82 Series only)

Model	Dimensions					Volume (Litres)	Dry Weight (kg)
	A	B	C	D	E		
82011AAN20A1EE	718	545	92	262	300	13.3	12.4
82012AAN20A1EE	1078	905	92	262	650	21.0	17.0

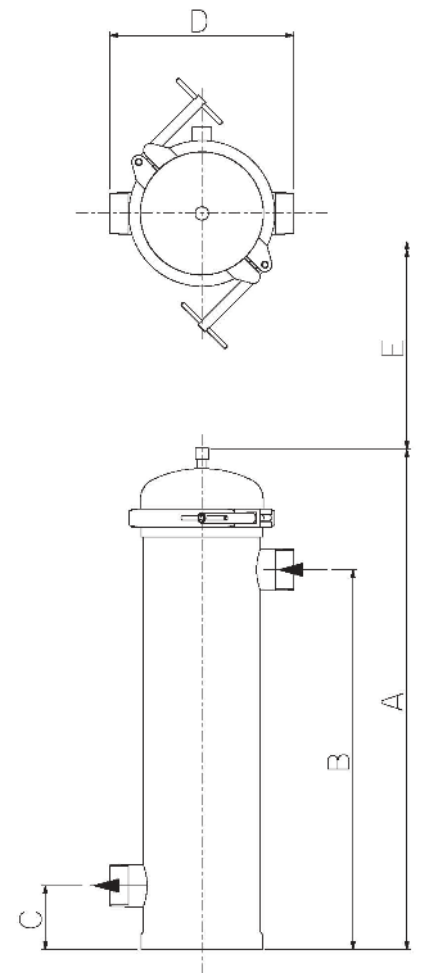
PED Status: Compliant with 2014/68/EU

Fluid Groups:	82 Series	83 Series
	Liquids Group 2	Liquids Group 1 and 2
	Gas Group 2	Gas Group 2

Marking:	CE
Exceptions:	Group 1 liquids - Explosive

ATEX: Compliant with 2014/34/EU, level CE Ex II 2 GD c X

Technical drawings for each individual housing showing dimensions, volume, weights, maximum temperatures and design pressures available on request.



Ordering Guide

8301	1	A	A	C	20	A	1	E	E
No of Bags	Bag Length	Bag Collar Style/Size	Closure Style	Mounting	Connection	Connection Type	Materials	Finish	Seal
8201 - 1 Bag 8301 - 1 Bag	1 - Single 2 - Double	A - Amazon 5½" N - No Basket H - Ferrostik (magnetic insert)	A - Cast Vee Clamp H - Hinged Cover with Carbon Steel Screw Clamps W - Hinged Cover with St. St. Screw Clamps	82 Series A - Bolt Down Plate N - None 83 Series B - Fixed Legs C - Adjustable Legs	20 - 2"	A - BSPM C - EN1092-1 Flange PN16 G - Table E Flange H - ASME Flange 150# L - BS4825-3 Tri Clamp K - Stub Pipe M - DIN11851 N - RJTM P - SMS M (Swedish) R - IDFM S - DIN2633 Flange U - NPTM	1 - 316 St. Steel (L Grade)	E - Electropolished	E - EPDM F - FEP / Silicone (flat cover only) S - Silicone V - Viton

Example: 83011AAC20A1EE = 83 Series, Single length bag, Amazon 5½" bag collar, cast vee clamp closure, adjustable legs, 2" BSPM connections. 316L St.Steel with an electropolished finish and EPDM seals.

AMAZON FILTERS LTD.

Albany Park Estate, Camberley, Surrey, GU16 7PG, ENGLAND

Tel: +44 (0) 1276 670 600 Email: sales@amazonfilters.co.uk Web: www.amazonfilters.com