

# 76A SERIES CLEARVIEW

## Hygienic, Single Stack Filter Housing



The **76A Series ClearView** single cartridge housing is a high quality product specifically designed for critical applications, with the added bonus of the inclusion of a unique clear bowl section enabling viewing of the condition of the filter element and the process fluid. This housing has been designed specifically for use in the Fine Chemicals and Pharmaceutical industries, where the **76A Series ClearView** is proven to be highly successful where fluid cleanliness requires visual monitoring online.

It is manufactured to provide a 0.4 µm RA crevice free sanitary finish on all internal surfaces. The hygienic design ensures the housing is easy to clean and can be sanitised readily.

**76A Series ClearView** housings are suitable for the filtration of both liquids and gases and designed to accept the industry standard code 7 (226) style single

open-ended cartridges with nominal lengths of 10, 20 and 30". They are offered with either a quick and easy to use cast Vee clamp or a DIN screw thread closure.

### Product Features:

- 0.4µm RA internal finish
- Suitable for both liquids and gases
- Rated at up to 10 bar and full vacuum
- Suitable for operating temperatures from -10°C up to 110°C
- Available with a high quality cast Vee band clamp or DIN screw thread closures
- Offered with a wide range of connection sizes and types
- Available for a range of cartridge lengths
- PED Compliant to Sound Engineering Practice
- Full traceability on all parts, material certification packs available



## Features and Benefits

- Unique clear bowl section enabling viewing of the condition of the filter element and the process fluid
- High quality crevice free surface finish to 0.4 µm RA to assist in maintaining a sanitary system
- Full vacuum rating in liquids and gases
- Suitable for a wide range of process temperatures
- Every housing is etched with a batch number for full traceability
- Full housing customisation service available

## Product Range

Amazon Filters design and manufacture an extensive range of liquid filtration systems, providing one of the widest selections of filtration vessels, depth filters and pleated cartridges available today, ensuring excellent process and filter compatibility. As one of Europe's leading manufacturers of filtration systems, Amazon Filters is able to offer a solution to meet all filtration requirements. Amazons' filters are manufactured in clean room conditions and all products come with detailed Product Validation Guides and Technical Support documentation.



# 76A Series Technical Data

## Maximum Operating Conditions

Pressure Range:	Liquid:	FV / 10 bar g
	Gas Group 1:	FV / 6 bar g
	Gas Group 2:	FV / 6 bar g
Temperature Range:	-10°C / 110°C	

## Materials of Construction

Body and Closure:	316L St. Steel
Clamp:	304 St. Steel
Seal:	Silicone as standard
Retaining Glass:	Borosilicate with Acrylic safety shield and PTFE Seal

## Finish

Vessel:	0.4µm RA on internal surfaces 0.8µm RA or better external
---------	--------------------------------------------------------------

## Connections

Inlet / Outlet:	1 1/2" BS4825-3 Tri-Clamp
Vent:	1/4" BSPF + BSPP Plug, 8 PTFE 'O' Ring
Drain:	1/2" BS4825-3 Tri-Clamp

Model	Dimensions					Volume (Litres)	Dry Weight (kg)
	A	B	C	D	E		
76A117AF15L1VS	393	51	-	217	350	3.3	9
76A127AF15L1VS	647	51	-	217	600	5.4	10.3
76A137AF15L1VS	901	51	-	217	850	7.3	11.6

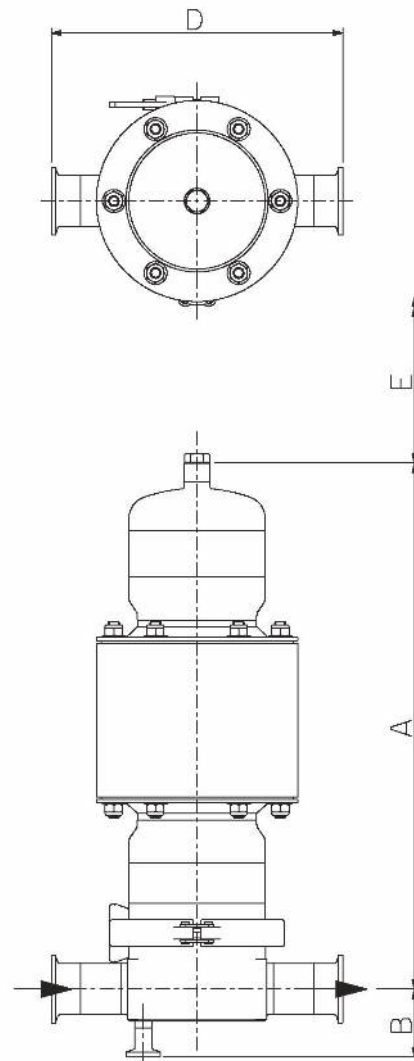
## PED Status:

Fluids Group:	Compliant with 2014/68/EU Gas Group 1 Liquids Group 1 + 2
Exceptions:	Group 1 liquids - Explosive

## ATEX:

Marking:	Compliant with 2014/34/EU, level CE Ex II 2 GD c X CE
----------	-------------------------------------------------------

Technical drawings for each individual housing showing dimensions, volume, weights, maximum temperatures and design pressures available on request.



# Ordering Guide

76A1	1	7	A	F	15	L	1	V	S
No of Stacks	Cartridge Length	Cartridge End Cap Style	Closure Style	Mounting	Connection	Connection Type	Materials	Finish	Seal
01 - 1	1 - Single 10" 2 - Double 20" 3 - Triple 30"	7 - Code 7	A - Cast Vee Clamp X - DIN Screwed Closure	F - 1/4" BSP Vent G - 1/4" Hygienic Vent Valve H - 1/2" T / C Vent Only, No Clamp / Blank J - 1 1/2" T / C with 1/4" Hygienic Vent Valve, No Clamp / Blank R - 1/4" Hygienic Vent Valve Assembly with PTFE Seal and Staubli RBE.03.6025 S - 1 1/2" T / C with 1/4" Hygienic Vent Valve Assembly with PTFE Seal and Staubli RBE.03.6025, No Clamp / Blank	10 - 1" 15 - 1 1/2" 20 - 2"	L - BS4825-3 Tri Clamp C - EN1092-1 Flange PN16 H - ASME Flange 150# M - DIN11851 N - RJTM P - SMS M (Swedish) R - IDFM	1 - 316 St St. (L Grade)	V - 0.4µm Ra Internal Finish, Degrease Sump, Electropolished Base	S - Silicone T - PTFE / Envelope V - Viton E - Ethylene Propylene F - FEP / Silicone*1 G - FEP / Viton*1

Example: 76A117AF15L1VS - 76 Series ClearView, 1 x 10" Code 7 cartridge, cast vee clamp closure, 1/4" BSP vent, 1 1/2" Tri Clamp connections. St. Steel construction with pickle, 0.4µm Ra Finish, Degrease sump, electropolished base, Silicone seal.  
\*1 - X option only

# AMAZON FILTERS LTD.

Albany Park Estate, Camberley, Surrey, GU16 7PG, ENGLAND

Tel: +44 (0) 1276 670 600 Email: sales@amazonfilters.co.uk Web: www.amazonfilters.com