

73 SERIES

Hygienic Multi Stack Housing



The **73 Series** hygienic multi stack cartridge housing is available with 3, 5 and 8 element stacks up to 30" long. The 'T' style configuration with dome cover is equipped with a Cast Vee clamp as standard for pressures ranging up to 10 bar g.

This leg mounted, free standing housing with domed cover is the ideal choice for all hygienic systems when using Single Open End plug in style cartridges. The simple lightweight dome allows full and easy access to the cartridges for rapid changeouts and the housings can be dismantled for full cleandowns. Bolted closures are an option available for all models.

The **73 Series** housing will accept the full range of Amazon Single Open End Code 7 industry standard cartridges ranging from 0.03 to 40µm with nominal lengths of 10, 20 and 30".

Product Features

- 'T' style construction with a high specification hygienic finish with electropolish inside and out
- Quick release Vee clamp closure for ease of access
- Designed to allow complete strip down for ease of cleaning.
- No loose internals for trouble free operation
- 6 different vent options
- PED and ATEX compliant
- CE marked



F Vent

G Vent

H Vent

J Vent

R Vent

S Vent

Features and Benefits

- Standard single open end cartridge fitting, using Bayonet lock code 7 for forward and reverse flow
- 316L construction for maximum corrosion resistance.
- Every housing is etched with a serial number for full traceability.
- Wide range of options available for connection size and style, cartridge lengths and materials of construction
- Full certification available, PED and ATEX compliant, CE Marked

Product Range

Amazon Filters design and manufacture an extensive range of liquid filtration systems, providing one of the widest selections of filtration vessels, depth filters and pleated cartridges available today, ensuring excellent process and filter compatibility. As one of Europe's leading manufacturers of filtration systems, Amazon Filters is able to offer a solution to meet all filtration requirements. Amazons' filters are manufactured in clean room conditions and all products come with detailed Product Validation Guides and Technical Support documentation.



73 Series Technical Data

Maximum Operating Conditions

	7303	7305	7308
Liquid:	FV / 10	FV / 10	FV / 10
Gas:	FV / 7	FV / 6	FV / 3
Temperature Range:	-10°C / 150°C		

Materials of Construction

Body and Closure:	316L St. Steel
Clamp:	304 St. Steel

Finish

Vessel:	0.8µm Ra mechanically polished inside and out + final electropolish
---------	---

Connections

Inlet / Outlet:	7303 - 1½" Tri Clamp
	7305 - 2" Tri Clamp
	7308 - 2½" Tri Clamp

PED Status:

Fluid Groups:	Compliant with 2014/68/EU
	Gas Group 2
	Liquids Group 1 + 2

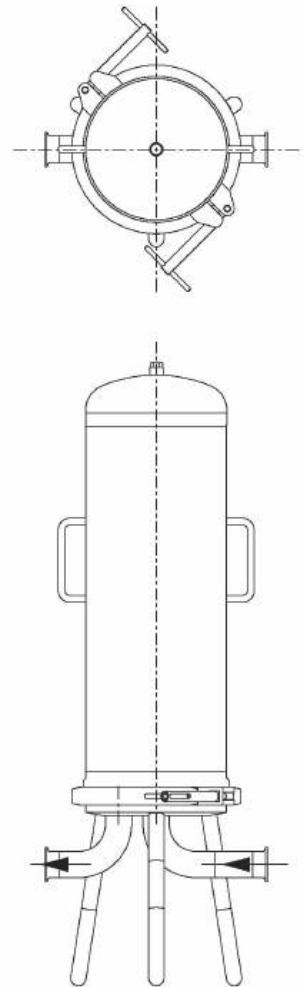
Marking:

Exceptions:	CE
	Group 1 liquids - Explosive

ATEX:

Compliant with 2014/34/EU, level CE Ex II 2 GD c X

Technical drawings for each individual housing showing dimensions, volume, weights, maximum temperatures and design pressures available on request.



Ordering Guide

No of Stacks	Cartridge Length	Cartridge End Cap Style	Closure Style	Vent Options	Connection	Connection Type	Materials	Finish	Seal
7303 - 3 7305 - 5 7308 - 8	1 - Single 10" 2 - Double 20" 3 - Triple 30"	7 - Code 7	A - Cast Vee Clamp	F - ¼" BSPF Vent G - ¼" Hygienic Vent Valve H - 1½" TC Vent Only, No Clamp / Blank J - 1½" TC with ¼" Hygienic Vent Valve, No Clamp / blank R - ¼" Hygienic Vent Valve Assembly with PTFE Seal and Staubli RBE.03.6025 S - 1½" T / C with ¼" Hygienic Vent Valve assembly with PTFE Seal and Staubli RBE.03.6025, No Clamp / blank	15 - 1½" (7303) 20 - 2" (7305) 25 - 2½" (7308)	L - BS4825-3 Tri Clamp M - DIN11851 N - RJTM P - SMS M (Swedish) Q - Stub Pipe R - IDFM	1 - 316 st.st (L Grade)	P - 0.8µm Ra internal polish + Electropolish	S - Silicone F - FEP / Silicone V - Viton

Example: 730517AF20L1PS = 73 Series, 5 x 10" Code 7 cartridge, cast vee clamp closure, ¼" BSPF vent, 2" Tri Clamp connections. St. Steel construction with 0.8Ra Internal polish + electropolish.

AMAZON FILTERS LTD.

Albany Park Estate, Camberley, Surrey, GU16 7PG, ENGLAND

Tel: +44 (0) 1276 670 600 Email: sales@amazonfilters.co.uk Web: www.amazonfilters.com