

# 71 SERIES

## Hygienic Tank Vent Filter Housing

The **71 Series** Hygienic Vent filter cartridge housing is designed primarily for tank venting applications and is available for either 5", 10 or 20" long cartridges.

The single common inlet / outlet connection is suited for direct mounting on to most sealed storage vessels, whilst the quick release seal-less Vee clamp closure allows for rapid filter changeouts.

These housings are ideal where free movement of clean air is of prime importance, and are designed for use with the naturally hydrophobic **SupaPore TP** PTFE membrane cartridge.

The **71 Series** housing will accept the full range of Amazon Single Open End code 7 cartridges ranging from 0.1 to 40µm with nominal lengths of 10 and 20".

### Product Features

- Crevice free construction with hygienic single polished inlet/outlet port
- Quick release Vee clamp closure for ease of access - no seal required
- Lightweight easy lift dome
- No loose internals for trouble free operation
- ATEX compliant



## Features and Benefits

- Bayonet lock code 7 cartridge fitting as standard for forward and reverse flow
- 316L construction for maximum corrosion resistance
- Every housing is etched with a serial number for full traceability
- Wide range of options available for the connection size and style, cartridge lengths and materials of construction
- Full housing customisation service available

## Product Range

Amazon Filters design and manufacture an extensive range of liquid filtration systems, providing one of the widest selections of filtration vessels, depth filters and pleated cartridges available today, ensuring excellent process and filter compatibility. As one of Europe's leading manufacturers of filtration systems, Amazon Filters is able to offer a solution to meet all filtration requirements. Amazons' filters are manufactured in clean room conditions and all products come with detailed Product Validation Guides and Technical Support documentation.



# 71 Series Technical Data

## Maximum Operating Conditions

Temperature Range: -10 / 150°C

## Materials of Construction

Body and Closure: 316L St. Steel

Clamp: 304 St. Steel

## Finish

Vessel: Base 0.8µm Ra (clean side) with electropolish  
Dome internally pickled with external bright polish

## Connections

Inlet/Outlet: 1 ½" Tri Clamp

Model	Dimensions					Volume (Litres)	Dry Weight (kg)
	A	B	C	D	E		
710117VN15L1VN	390	36	-	-	350	2.5	3.1
710127VN15L1VN	647	36	-	-	600	4.5	4.1

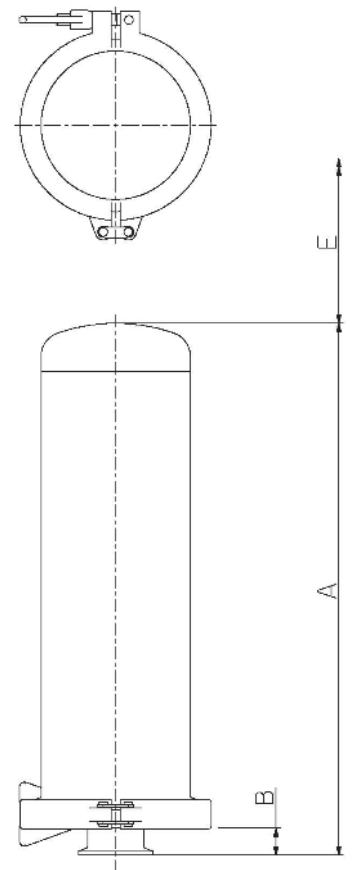
## PED Status:

Not Applicable

## ATEX:

Compliant with 2014/34/EU, level CE Ex II 2 GD c X

Technical drawings for each housing showing dimensions, volume and weights available on request.



# Ordering Guide

7101	1	7	V	N	15	L	1	V	N
No of Stacks	Cartridge Length	Cartridge End Cap Style	Closure Style	Options	Connection	Connection Type	Materials	Finish	Seal
7101 - 1	0 - Single 5" 1 - Single 10" 2 - Double 20"	7 - Code 7	V - Pressed Vee Clamp	N - None	15 - 1 ½" 20 - 2"	C - EN1092-1 Flange PN16 H - ASME Flange 150# L - BS4825-3 Tri Clamp M - DIN11851 N - RJTM P - SMS M (Swedish) R - IDFM	1 - 316 st.st (L Grade)	V - Base 0.8µm Ra (inside) with Electropolish, Dome Internally Pickled with External B right Polish	N - None

Example: 710117VN15L1VN = 71 Series, 1 x 10" Code 7 cartridge, pressed vee clamp closure, No mounting, 1½" Tri Clamp connections. St.Steel construction with 0.8Ra electropolished finish internally, Dome internally pickled with external bright polish.

# AMAZON FILTERS LTD.

Albany Park Estate, Camberley, Surrey, GU16 7PG, ENGLAND

Tel: +44 (0) 1276 670 600 Email: sales@amazonfilters.co.uk Web: www.amazonfilters.com