

# 66 SERIES HFC

## High Flow Liquid and Gas Housing



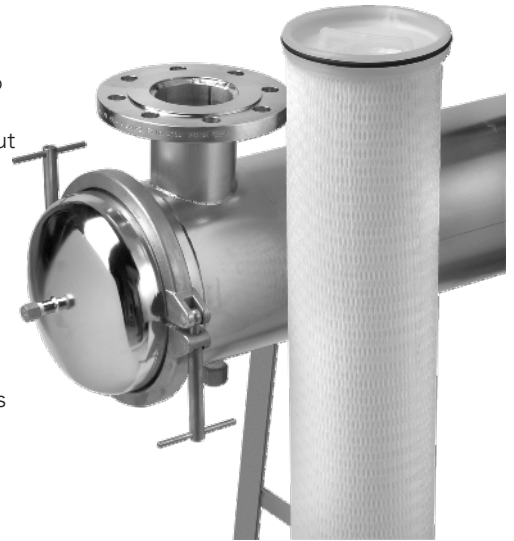
The **66 Series HFC** housing range is specifically designed for use with the large bore **SupaPleat HFC** and **SupaSpun HFC** cartridges to provide a filtration system that offers maximum efficiency, high flow rates and long life. This high quality electropolished 316L stainless steel housing is easy to use and is suited to many filtration processes across a range of industries.




Available in a selection of sizes and with a choice of connections and closure types the optimum housing can be provided for each application.

The **66 Series HFC** housing is available to be used with 20", 40" or 60" cartridges. It can be installed in either the vertical or horizontal position and can be supplied with fixed or adjustable legs. This ensures that the housing can normally be used even where space or changes to inlet and outlet pipework are limited.

### Product Features

- Designed for high flow systems
- Multi cartridge units available up to 30 round
- Easy and quick cartridge change-out
- Electropolished inside and out
- Available for 20", 40" or 60" filters
- Each housing is hydrostatically pressure tested
- Available with 3" or 4" connections and in a range of types
- Can be supplied with adjustable or fixed legs where required
- Rated at 10 bar g liquid, 3 bar g gas
- PED and ATEX Compliant



Accessories	Part Number
Pressure Gauge and Vent Valve Kit 	60S000016
Pressure Gauge and Auto Vent Valve Kit 	60S000082
Ball Valve and Nipple 	60S000010

## Features and Benefits

- Designed for use with the **SupaPleat HFC** and **SupaSpun HFC** cartridges for maximum flow rates
- Utilises large bore cartridge allowing quick and easy filter change out
- Can be used vertically or horizontally with or without legs
- Flexible design allows use of either V band or Rathmann clamp closure
- Full housing customisation service available

## Product Range

Amazon Filters design and manufacture an extensive range of liquid filtration systems, providing one of the widest selections of filtration vessels, depth filters and pleated cartridges available today, ensuring excellent process and filter compatibility. As one of Europe's leading manufacturers of filtration systems, Amazon Filters is able to offer a solution to meet all filtration requirements. Amazons' filters are manufactured in clean room conditions and all products come with detailed Product Validation Guides and Technical Support documentation.



# 66 Series HFC Technical Data

## Maximum Operating Conditions

Pressure Range: Liquid: Vee clamp: 10 bar g  
 Bolted: FV / 10 bar g  
 Gas: Vee clamp: 3 bar g  
 Bolted: FV / 3 bar g  
 Temperature Range: -10°C / 150°C

## Materials of Construction

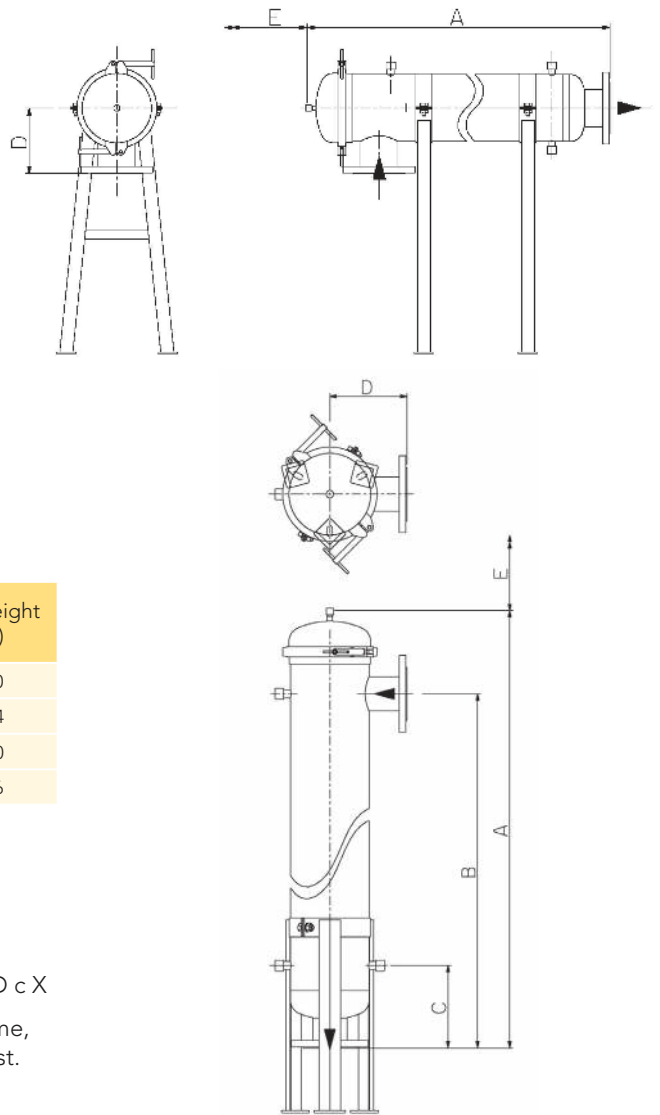
Body: 316L St.Steel  
 Closure: Vee Clamp - 304 St. Steel  
 Bolts - Zinc plated carbon steel  
 (Optional stainless steel)

## Finish

Vessel: Electropolished

## Connections

Inlet/Outlet: 3" Flanged  
 Vent: Horizontal: 1/2" BSPM  
 Vertical: 1/4" BSP  
 Drains: 1/2" BSPM



Model	Dimensions					Volume (Litres)	Dry Weight (kg)
	A	B	C	D	E		
66012CAC30C1EE	988	791	181	201	500	27.4	31.0
66014CAC30C1EE	1499	1302	181	201	1000	43.5	38.4
66014CAI30C1EE	1499	1302	181	201	1000	43.5	42.0
66016CAI30C1EE	2007	1810	181	201	1500	56.4	49.6

## PED Status:

Compliant with 2014/68/EU

## Fluid Groups:

Liquids Group 1 + 2  
 Gas Group 2

## Marking:

CE

## Exceptions:

Group 1 liquids - Explosive

## ATEX:

Compliant with 2014/34/EU, level CE Ex II 2 GD c X

Technical drawings for each individual housing showing dimensions, volume, heights, maximum temperatures and design pressures available on request.

# Ordering Guide

6601	4	C	A	I	30	C	1	E	E
No of Stacks	Cartridge Length	Cartridge End Cap Style	Closure Style	Mounting	Connection	Connection Type	Materials	Finish	Seal
6601 - 1 (Available up to 30 round please contact the Sales Office)	2 - 20" 4 - 40" 6 - 60"	C - HFC Cartridge	A - Cast Vee Clamp H - Hinged Plus Bolts W - Hinged + St. St Bolts	I - Adjustable Legs - Horizontal (40" and 60" only) C - Adjustable Legs - Vertical (20" and 40" only)	20 - 2" 30 - 3" 40 - 4"	A - BSPM C - EN1092-1 Flange PN16 G - Table 'E' Flange H - ASME Flange 150# K - Stub Pipe L - BS4825-3 Tri Clamp M - DIN11851 N - RJTM P - SMS M (Swedish) R - IDFM S - DIN2633 Flange	1 - 316 st.st (L Grade)	E - Electropolished	E - EPDM F - FEP / Silicone (Flat cover only) S - Silicone V - Viton

Example: 66014CAI30C1EE= 66 Series, 1 x 40" HFC cartridge, Cast vee clamp closure, Adjustable legs - Horizontal, 3" EN1092-1 Flange PN16 connections. 316L St.Steel construction with EPDM gaskets, electropolished all over.

# AMAZON FILTERS LTD.

Albany Park Estate, Camberley, Surrey, GU16 7PG, ENGLAND

Tel: +44 (0) 1276 670 600 Email: sales@amazonfilters.co.uk Web: www.amazonfilters.com