

# 66 SERIES HFC

## Multi Cartridge High Flow Housing



The **66 Series HFC** housing range is specifically designed for use with large diameter **SupaPleat HFC** and **SupaSpun HFC** cartridges to provide a liquid filtration system that offers maximum efficiency, high flow rates and long life. This range of multi-cartridge housings can accommodate 3, 4, 5 and 7 filter cartridges in either 40" or 60" lengths. The housings are designed to be used in a horizontal orientation and have a hinged and bolted closure to enable easy opening and closing.



These housings are particularly suited to large scale high flow applications. The use of high surface area large diameter cartridges, instead of standard diameter cartridges, can greatly reduce the time required for filter change-out.

These high quality 316L stainless steel housings come fitted with an integral stand and are available with a choice of connection types and sizes. To provide maximum convenience and safety, vent and drain ports are provided both upstream and downstream and the housing is fitted with lifting lugs. The housings are finished with a high quality external bead blast.

The **66 Series HFC** housings can accommodate filters manufactured with either polypropylene or glass microfibre media and with removal ratings of 0.5 - 90µm. Therefore they are suitable for a wide range of applications including water treatment and the production of beverages, chemicals and pharmaceuticals.

### Product Features

- Designed for high flow systems
- Easy and quick cartridge change-out
- Suitable for 3, 4, 5 or 7 cartridges
- Available for 40" or 60" filters

- Manufactured from 316L stainless steel
- High quality finish
- Each housing is hydrostatically pressure tested
- Available with a range of connection types and sizes
- Supplied with an integral stand
- Rated at FV / 10 bar in liquids
- PED Compliance - CE Marked



## Features and Benefits

- Designed for **SupaPleat HFC** and **SupaSpun HFC** cartridges for maximum flow rates
- Accommodates 3, 4, 5 and 7 cartridges of either 40" or 60" length so suitable for a wider range of applications
- Utilises large diameter cartridges allowing quick filter change-out
- Operated in the horizontal orientation and fitted with a hinged and bolted closure for easy access
- Each housing is etched with a unique serial number for full traceability
- Full housing customisation service available

## Product Range

Amazon Filters design and manufacture an extensive range of liquid filtration systems, providing one of the widest selections of filtration vessels, depth filters and pleated cartridges available today, ensuring excellent process and filter compatibility. As one of Europe's leading manufacturers of filtration systems, Amazon Filters is able to offer a solution to meet all filtration requirements. Amazon's filters are manufactured in clean room conditions and all products come with detailed Product Validation Guides and Technical Support documentation.



AMAZON

# 66 Series HFC Technical Data

## Maximum Operating Conditions

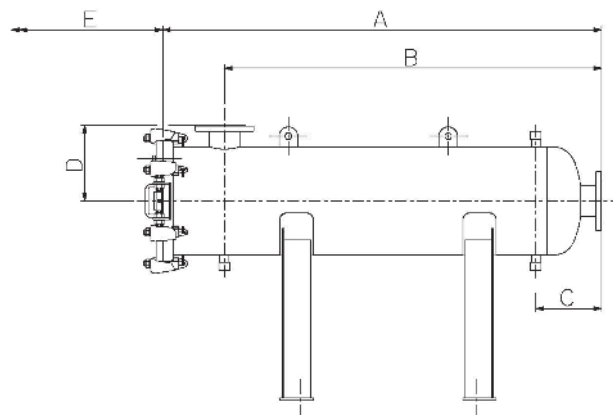
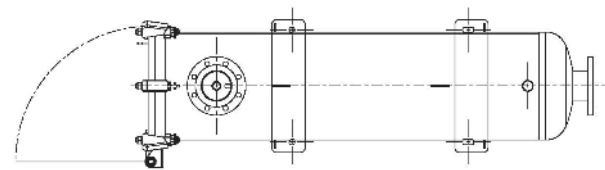
Pressure Range: FV / 10 bar g  
 Temperature Range: -10°C / 110°C

## Materials of Construction

Body and Closure: 316L St. Steel  
 Vessel Finish: Pickle, passivate and external bead blast

## Connections

Inlet/Outlet: 6" - 12" Flange  
 Vent: 1" BSPM with Cap  
 Drain: 1" BSPM with Cap  
 Lid vent: ½" BSPF with Plug



Model	Dimensions					Volume (Litres)	Dry Weight (kg)
	A	B	C	D	E		
66034CHD60C1GE	1753	1490	296	350	1000	206	207
66036CHD60C1GE	2255	1998	296	350	1600	269	230
66044CHD80C1GE	1753	1497	307	394	1100	260	285
66046CHD80C1GE	2257	2001	307	394	1600	340	309
66054CHDA1C1GE	1817	1532	362	400	1100	337	357
66056CHDA1C1GE	2320	2035	362	400	1600	436	386
66074CHDA2C1GE	1861	1538	290	450	1100	498	555
66076CHDA2C1GE	2364	2041	290	450	1600	640	594

**PED Status:** Compliant with 2014/68/EU  
 Fluid Groups: Liquid Groups 1 + 2  
 Marking: CE  
 Exceptions: Group 1 liquids - Explosive  
**ATEX:** Compliant with 2014/34/EU, level CE Ex II 2  
 GD c X

Technical drawings for each individual housing showing dimensions, volume, weights, maximum temperatures and design pressures available on request.

## Ordering Guide

6604	4	C	H	D	80	C	1	G	E
No of Stacks	Cartridge Length	Cartridge End Cap Style	Closure Style	Mounting	Connection	Connection Type	Materials	Finish	Seal
6603 - 3 6604 - 4 6605 - 5 6607 - 7	4 - 40" 6 - 60"	C - HFC Cartridge	H - Hinged + Bolts	D - Stand	60 - 6" 80 - 8" A1 - 10" (5 & 7 Stack only) A2 - 12" (7 stack only)	C - EN1092-1 Flange PN16 H - ASME Flange 150# K - Stub Pipe S - DIN2633 Flange	1 - 316 st.st (L Grade) 2 - 304 st.st	G - Pickle, Passivate & External Bead Blast	E - EPDM F - FEP / Silicone S - Silicone V - Viton

Example: 66044CHD80C1GE = 66 Series, 4 x 40" HFC Cartridges, Hinged Closure + bolts, mounted on a stand, 8" EN1092-1 Flange PN16 connections, 316 St. Steel construction with EPDM gaskets, pickle, passivate and external bead blast finish.

# AMAZON FILTERS LTD.

Albany Estate, Camberley, Surrey, GU16 7PG, ENGLAND

Tel: +44 (0) 1276 670 600 Email: sales@amazonfilters.co.uk Web: www.amazonfilters.com