

66 SERIES FFC

Multi FFC Cartridge



The **66 Series FFC** housing range is specifically designed for use with large diameter **SupaPleat FFC** and **SupaSpun FFC** cartridges to provide a liquid filtration system that offers maximum efficiency, high flow rates and long life. This range of multi-cartridge housings can accommodate 3, 4, 5 and 7 filter cartridges in either 40" or 60" lengths. The cartridges are normally operated in 'out to in' mode.

The housings are designed to be used in a horizontal orientation and have a hinged and bolted closure to enable easy opening and closing. These housings are particularly suited to large scale high flow applications. The use of high surface area large diameter cartridges, instead of standard diameter cartridges, can greatly reduce the time required for filter change-out.

These high quality 316L stainless steel housings come fitted with a built-in stand and are available with a choice of connection types and sizes. To provide maximum convenience and safety, vent and drain ports are provided both upstream and downstream and the housing is fitted with lifting lugs. The housings are finished with a high quality external bead blast.



The **66 Series FFC** housings can accommodate filters manufactured with either polypropylene or glass microfibre media and with removal ratings of 0.5 – 90µm. Therefore they are suitable for a wide range of applications including water treatment and the production of beverages, chemicals and pharmaceuticals.

Product Features

- Designed for high flow systems
- Easy and quick cartridge change-out
- Suitable for 3, 4, 5 or 7 cartridges
- Available for 40" or 60" filters
- Manufactured from 316L stainless steel
- High quality finish
- Each housing is hydrostatically pressure tested
- Available with a range of connection types and sizes
- Supplied with a built-in stand
- Rated at FV/10 bar in liquids
- PED and ATEX Compliant - CE Marked

Features and Benefits

- Designed for **SupaPleat FFC** and **SupaSpun FFC** cartridges for maximum flow rates
- Accommodates 3, 4, 5 and 7 cartridges of either 40" or 60" length so suitable for a wider range of applications
- Utilises large diameter cartridges allowing quick filter change-out
- Operated in the horizontal orientation and fitted with a hinged and bolted closure for easy access
- Each housing is etched with a unique serial number for full traceability
- Full housing customisation service available

Product Range

Amazon Filters design and manufacture an extensive range of liquid filtration systems, providing one of the widest selections of filtration vessels, depth filters and pleated cartridges available today, ensuring excellent process and filter compatibility. As one of Europe's leading manufacturers of filtration systems, Amazon Filters is able to offer a solution to meet all filtration requirements. Amazons' filters are manufactured in clean room conditions and all products come with detailed Product Validation Guides and Technical Support documentation.



AMAZON

66 Series FFC Technical Data

Maximum Operating Conditions

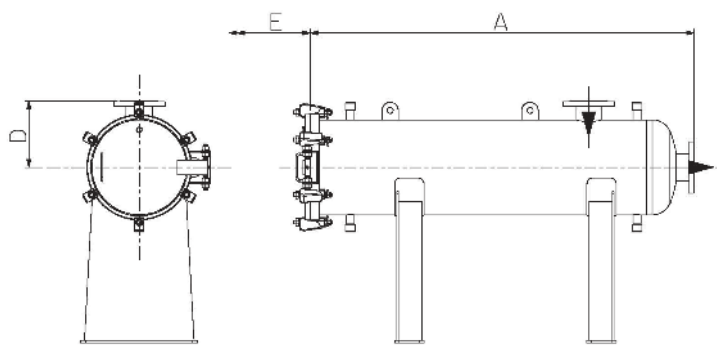
Pressure Range: FV/10 bar g
 Temperature Range: -10°C/110°C

Materials of Construction

Body and Closure: 316L St. Steel
 Vessel Finish: Pickle, passivate and external bead blast

Connections

Inlet/Outlet: 6" - 12" Flange
 Vent: 1" BSPM with Cap
 Drain: 1" BSPM with Cap
 Lid vent: ½" BSPF with Plug



Model	Dimensions					Volume (Litres)	Dry Weight (kg)
	A	B	C	D	E		
66034PHD40C1GE	1647	453	246	160	1000	193	185
66044PHD60C1GE	1657	518	261	120	1000	260	249
66056PHDA1C1GE	2193	593	309	175	1600	410	350
66076PHDA2C1GE	2181	596	289	200	1600	586	536

PED Status: Compliant with 2014/68/EU
 Fluid Groups: Liquids Group 1 + 2
 Marking: CE Marked
 Exceptions: Group 1 liquids - Explosive
ATEX: Compliant with 2014/34/EU, level CE Ex II 2 GD c X

Technical drawings for each individual housing showing dimensions, volume, weights, maximum temperatures and design pressures available on request.

Ordering Guide

6604	4	P	H	D	60	C	1	G	E
No of Stacks	Cartridge Length	Cartridge End Cap Style	Closure Style	Mounting	Connection	Connection Type	Materials	Finish	Seal
6603 - 3 6604 - 4 6605 - 5 6607 - 7	4 - 40" 6 - 60"	P - FFC Cartridge	H - Hinged + Bolts	D - Stand	60 - 6" 80 - 8" A1 - 10" (5 & 7 stack only) A2 - 12" (7 Stack only)	C - EN1092-1 Flange PN16 H - ASME Flange 150# K - Stub Pipe S - DIN2633 Flange	1 - 316 St.St (L Grade) 2 - 304 St.St	G - Pickle, Passivate & External Bead Blast	E - EPDM F - FEP / Silicone S - Silicone V - Viton

Example: 66044PHD60C1GE = 66 Series, 4 x 40" FFC Cartridges, Hinged closure + bolts mounted on a stand, 6" EN1092-1 Flange PN16 connections, 316 St.Steel construction with EPDM gaskets, pickle, passivate and external bead blast finish.

AMAZON FILTERS LTD.

Albany Estate, Camberley, Surrey, GU16 7PG, ENGLAND

Tel: +44 (0) 1276 670 600 Email: sales@amazonfilters.co.uk Web: www.amazonfilters.com