

43 SERIES

Housings For Small Scale Processes



Amazon Filters is able to offer a range of mini-housings particularly suited to small scale processes. They are ideal for small production batches or for down-scaled process evaluation.

This housing range is suitable for a range of mini-filters including:-

- Double opened and single open ended cartridges
- 5mm, 10mm, 25mm and 50mm lengths
- Pleated, depth and activated carbon media

43 Series Typical Applications

- Pilot plant and R&D laboratory operations
- Small custom batches of product
- High value/low volume production runs
- Down-scaled process evaluation
- Filter train optimisation



Housing Design	Filter Size and Type	Part Number
Standard design with 1/2" Tri Clamp inlet/outlet, PTFE/Viton Envelope	25mm length double open ended (DOE) segment	1. 43SF123000
	50mm length double open ended (DOE) segment	2. 43SF123001
Low hold-up volume design with 1/2" Tri Clamp inlet/outlet, PTFE/Viton Envelope <small>(For use with SupaCarb segments only)</small>	5mm length double open ended (DOE) segment	3. 43SF122000
	10mm length double open ended (DOE) segment	4. 43SF122001
	25mm length double open ended (DOE) segment	5. 43SF122002
Standard design with 1/4" BSP male inlet/outlet, PTFE/Viton Envelope	25mm length double open ended (DOE) segment	6. 43SF124000
	50mm length double open ended (DOE) segment	7. 43SF124001
Standard design with 1/4" BSP female inlet/outlet, EPDM O Ring	25mm length single open ended code 3 cartridge	8. 43SF048000

Detailed drawings of these housings are available upon request.

43 Series Housing Design Options



1/2" Tri-Clamp

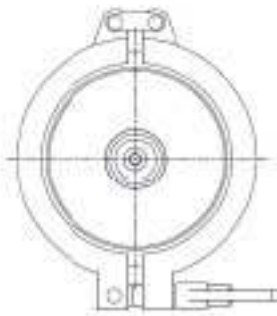
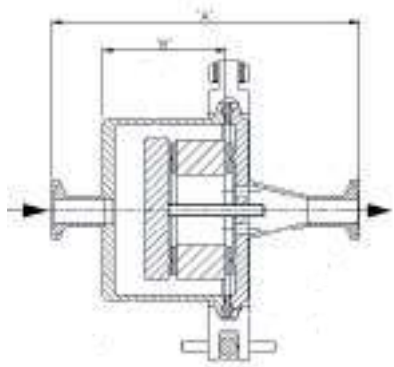


1/4" BSPM



1/4" BSPF





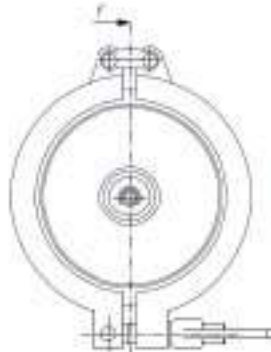
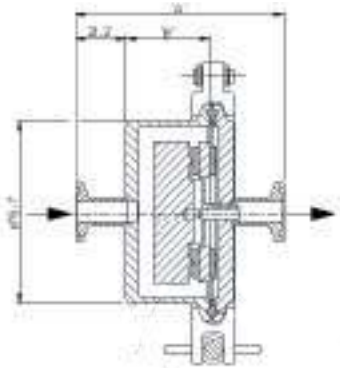
20mm SEGMENT HOLDER
FILTER HOUSING
SCALE 1:1

Standard design
with 1/2" Tri Clamp
inlet/outlet
DOE Cartridge

1. 43SF123000
2. 43SF123001

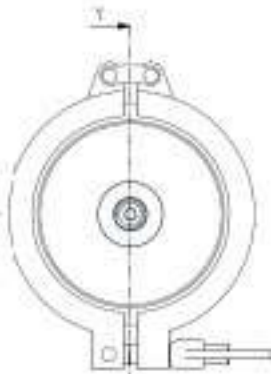
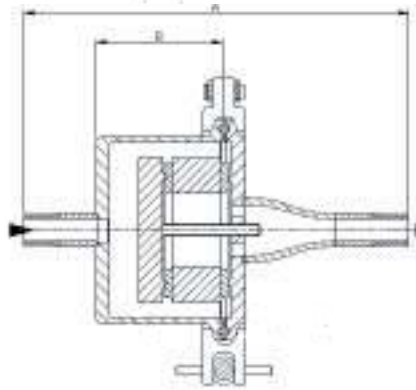


20mm SEGMENT HOLDER
FILTER HOUSING
SCALE 1:1



Low hold-up
volume design with
1/2" Tri Clamp
inlet/outlet
DOE Cartridge
(For use with SupaCarb
segments only)

3. 43SF122000
4. 43SF122001
5. 43SF122002



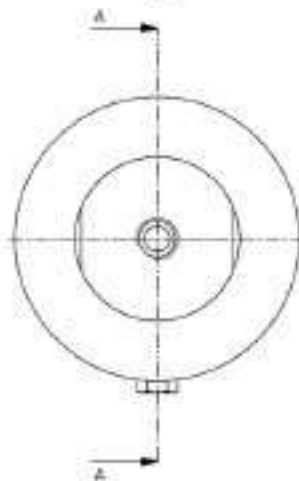
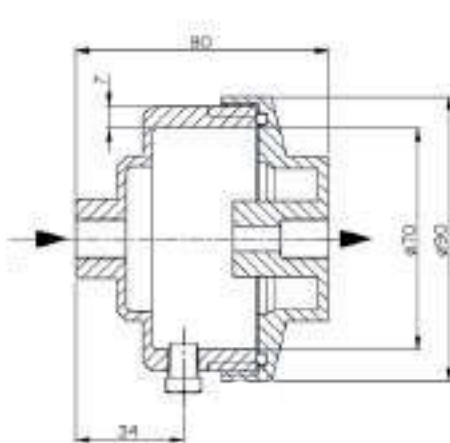
20mm SEGMENT HOLDER
FILTER HOUSING
SCALE 1:1

Standard design
with 1/4" BSP male
inlet/outlet
DOE Cartridge

6. 43SF124000
7. 43SF124001



20mm SEGMENT HOLDER
FILTER HOUSING
SCALE 1:1



Standard design
with 1/4" BSP
female inlet/outlet
Code 3 Cartridge

8. 43SF048000

AMAZON FILTERS LTD.

Albany Park Estate, Camberley, Surrey, GU16 7PG, ENGLAND

Tel: +44 (0) 1276 670 600 Email: sales@amazonfilters.co.uk Web: www.amazonfilters.com