



NOVOX® ST

NOVOX® ST / NOVOX® STM / NOVOX® STP / NOVOX® STE

Stainless steel plate & frame filter system manufactured for heavy duty use 24/7

The NOVOX® ST is a high precision stainless steel plate and frame filter for heavy duty use (24/7). The unique design of the NOVOX® allows for efficient handling. High precision construction of the plate & frame assembly and the hydraulic closing mechanism, combined with high-performance FILTRIX filter sheets, minimize drip-loss.

We provide four different types:

ST = standard

STM = standard in massive version

STP = with pneumatic hydraulic closing

STE = with electro hydraulic closing

Applications

- Beer
- Wine
- Juice
- Tea

- Distilled products
- Non-critical solutions
- Raw materials
- ...

Features

- Efficient handling
- Manufactured for heavy duty use 24/7
- Precise construction
- Swiss quality
- Long lifetime
- Variable operation possibilities (alluvial filtration, sheet filtration, two steps in one with diversion chamber or plate)
- Minimized drip-loss
- Custom made production is possible

Technical data

	NOVOX® 200 ST	NOVOX® 400 ST	NOVOX® 400 STM	NOVOX® 400 STP or STE	NOVOX® 600 STP or STE	NOVOX® 800 STP or STE	NOVOX® 1200 STP or STE
Drawing #	45.0500.0001	45.0900.5001	45.0210.5001	45.0620.5001	45.0310.5001	45.0710.5001	45.0810.5001
Filter area per sheet [m ²]	0.032	0.14	0.14	0.14	0.33	0.582	1.4
Max. Filter area per filter Version sheet filtration [m ²]	1.23	12.60 (Noryl™: 14.00)	18.48 (Noryl™: 14.00)	18.76 (Noryl™: 14.00)	67.32 (Noryl™: 50.20)	150.20	323.30
Max. Filter area per filter Version cake filtration [m ²]	8 mm: 1.23 25 mm: 0.71 35 mm: 0.58 40 mm: 0.52	15 mm: 9.80 25 mm: 7.28 40 mm: 5.32	15 mm: 14.28 25 mm: 10.92 40 mm: 7.84	15 mm: 14.28 25 mm: 10.92 40 mm: 7.84	20 mm: 44.88 25 mm: 38.94 40 mm: 28.38	40 mm: 102.40	40 mm: 277.40
Max. cake frame volume [L]	8 mm: 4.9 25 mm: 8.9 35 mm: 10.2 40 mm: 10.3	15 mm: 73.5 25 mm: 91.0 40 mm: 106.4	15 mm: 107.1 25 mm: 136.5 40 mm: 156.8	15 mm: 107.1 25 mm: 136.5 40 mm: 156.8	20 mm: 449 25 mm: 487 40 mm: 567	40 mm: 2048	40 mm: 4548
Max. usable cake volume [L]	8 mm: 2.5 25 mm: 7.5 35 mm: 9.0 40 mm: 9.3	15 mm: 53.9 25 mm: 76.4 40 mm: 95.8	15 mm: 78.5 25 mm: 114.7 40 mm: 141.4	15 mm: 78.5 25 mm: 114.7 40 mm: 141.4	20 mm: 359 25 mm: 409 40 mm: 510	40 mm: 1844	40 mm: 4094
Max. operating pressure	10 bar	6 bar (Noryl™ 5 bar)	8 bar (Noryl™ 5 bar)	8 bar (Noryl™ 5 bar)	8 bar (Noryl™ 5 bar)	6 bar	6 bar
Max. operating temperature	121°C	121°C (Noryl™ 95°C)	121°C (Noryl™ 95°C)	121°C (Noryl™ 95°C)	121°C (Noryl™ 95°C)	121°C	121°C
Connection size (head and end plate)	DN 15	DN 40	DN 40	DN 40	DN 50	DN 80	DN 100

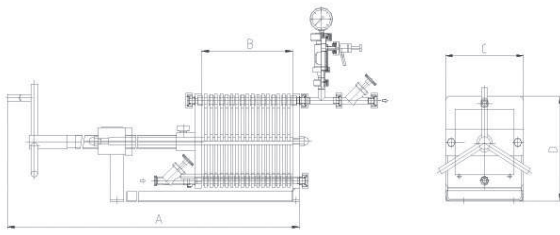
Filter configurations

	NOVOX® 200 ST	NOVOX® 400 ST	NOVOX® 400 STM	NOVOX® 400 STP or STE	NOVOX® 600 STP or STE	NOVOX® 800 STP or STE	NOVOX® 1200 STP or STE
Material filter plates	Stainless steel (316L)	Stainless steel (316L) or Noryl™	Stainless steel (316L)	Stainless steel (316L)	Stainless steel (316L)	Stainless steel (316L)	Stainless steel (316L)
Material cake frames	Stainless steel (316L)	Stainless steel (316L, 304)	Stainless steel (316L, 304)	Stainless steel (316L, 304)	Stainless steel (316L, 304)	Stainless steel (316L, 304)	Stainless steel (304)
Gaskets	Silicone Viton	Silicone Viton	Silicone Viton	Silicone Viton	Silicone Viton	Silicone	Silicone
Thickness filter plates	8 mm	8 mm	8 mm	8 mm	8 mm	9 mm	9 mm
Thickness cake frames	8 mm 25 mm 35 mm 40 mm	15 mm 25 mm 40 mm	15 mm 25 mm 40 mm	15 mm 25 mm 40 mm	20 mm 25 mm 40 mm	40 mm	40 mm
Standard connections	DIN 11851	DIN 11851	DIN 11851	DIN 11851	DIN 11851	DIN 11851	DIN 11851
Connections (specials on request)	Triclamp (TC)	Triclamp (TC) Dairy Flange	Triclamp (TC) Dairy Flange	Triclamp (TC) Dairy Flange	Triclamp (TC) Dairy Flange	Dairy Flange	Dairy Flange
Material without product contact*	Stainless steel (304)	Stainless steel (304)	Stainless steel (304)	Stainless steel (304)	Stainless steel (304)	Stainless steel (304)	Stainless steel (304)
Movable	On request	Yes	Yes	Yes	On request	No	No
Diversion chamber	Yes	Yes	Yes	Yes	Yes	Yes	No
Diversion plate	No	Yes	Yes	Yes	Yes	Yes	Yes
Closing mechanism	Manual	Hand hydraulic	Hand hydraulic	Electro hydraulic Pneumatic hydraulic	Electro hydraulic Pneumatic hydraulic	Electro hydraulic Pneumatic hydraulic	Electro hydraulic Pneumatic hydraulic

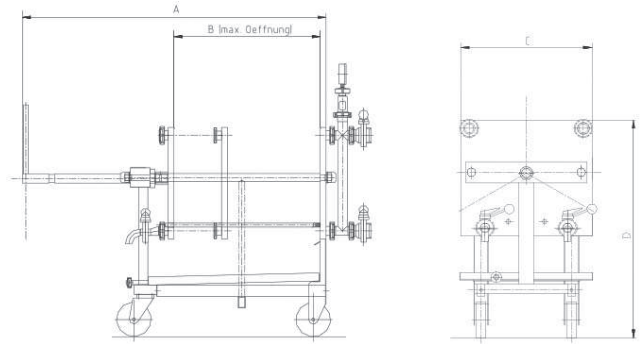
* except hydraulic components, slide barring, caster, and small parts

Dimensions

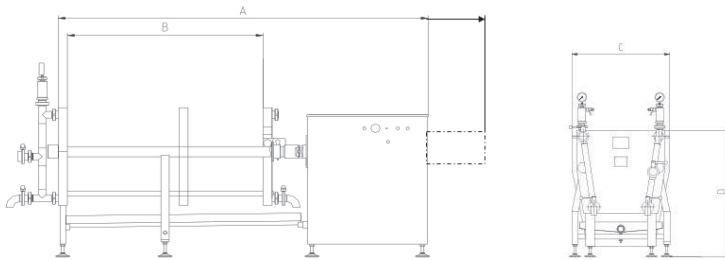
NOVOX® 200 ST



NOVOX® 400 ST and NOVOX® 400 STM



NOVOX® 400, 600, 800, 1200 STP or STE



Dimensions [mm]	NOVOX® 200 ST	NOVOX® 400 ST	NOVOX® 400 STM	NOVOX® 400 STP or STE	NOVOX® 600 STP or STE	NOVOX® 800 STP or STE	NOVOX® 1200 STP or STE
A							
Size 0.5						4842	4977
Size 1	1320	1308	1338	1569	2640	5252	5400
Size 2		2100	2130	2100	3530	5952	6100
Size 3		2512	2642	2753	4060	6672	6820
Size 4						7402	7850
Size 5						8252	8700
B							
Size 0.5						2042	1775
Size 1	202	630	630	636	1397	2452	2198
Size 2		1162	1162	1168	2087	3152	2898
Size 3		1674	1674	1680	2617	3872	3618
Size 4						4602	4348
Size 5						5452	5198
C	260	540	556	556	910	1084	1592
D	320	910	1022	1165	1155	1381	1756