

76 SERIES CLEARVIEW

Hygienic, Single Stack Filter Housing



The **76 Series ClearView** single cartridge housing is a high quality product specifically designed for critical applications, with the added bonus of the inclusion of a unique clear bowl section enabling viewing of the condition of the filter element and the process fluid. This housing has been designed specifically for use in the Fine Chemicals and Pharmaceutical industries, where the **76 Series ClearView** is proven to be highly successful where fluid cleanliness requires visual monitoring online.

It is manufactured to provide a 0.4 µm RA crevice free sanitary finish on all internal surfaces. The hygienic design ensures the housing is easy to clean and can be sanitised readily.

76 Series ClearView housings are suitable for the filtration of both liquids and gases and designed to accept the industry standard code 7 (226) style single

open-ended cartridges with nominal lengths of 10, 20 and 30". They are offered with either a quick and easy to use cast Vee clamp or a DIN screw thread closure.

Product Features:

- 0.4µm RA internal finish
- Suitable for both liquids and gases
- Rated at up to 10 bar and full vacuum
- Suitable for operating temperatures from -10°C up to 110°C
- Available with a high quality cast Vee band clamp or DIN screw thread closures
- Offered with a wide range of connection sizes and types
- Available for a range of cartridge lengths
- PED Compliant to Sound Engineering Practice
- Full traceability on all parts, material certification packs available



Features and Benefits

- Unique clear bowl section enabling viewing of the condition of the filter element and the process fluid
- High quality crevice free surface finish to 0.4 µm RA to assist in maintaining a sanitary system
- Full vacuum rating in liquids and gases
- Suitable for a wide range of process temperatures
- Every housing is etched with a batch number for full traceability
- Full housing customisation service available

Product Range

Amazon Filters design and manufacture an extensive range of liquid filtration systems, providing one of the widest selections of filtration vessels, depth filters and pleated cartridges available today, ensuring excellent process and filter compatibility. As one of Europe's leading manufacturers of filtration systems, Amazon Filters is able to offer a solution to meet all filtration requirements. Amazons' filters are manufactured in clean room conditions and all products come with detailed Product Validation Guides and Technical Support documentation.



76 Series Technical Data

Maximum Operating Conditions

Pressure Range: Liquid: FV/ 10 bar g
Gas: FV / 6 bar g
Temperature Range: -10°C / 110°C

Materials of Construction

Body and Closure: 316L St. Steel
Clamp: 304 St. Steel
Seal: PTFE
Retaining Glass: Borosilicate with Acrylic safety shield and PTFE Seal

Finish

Vessel: 0.4µm RA on internal surfaces

Connections

Inlet/Outlet: 1 1/2" sanitary flange
Vent: 1/4" BSPF + BSPP Plug, 8 PTFE 'O' Ring
Drain: 1/2" BS4825-3 Tri-Clamp

Model	Dimensions					Volume (Litres)	Dry Weight
	A	B	C	D	E		
76A117AF15L1VS	437	55	-	216	360	3.8	8
76A127AF15L1VS	691	55	-	216	614	5.7	9.3
76A137AF15L1VS	945	55	-	216	868	7.6	10.6

PED Status:

Compliant 97/23/EC
Gas Group 1
Liquids Group 1 + 2

Marking:

CE

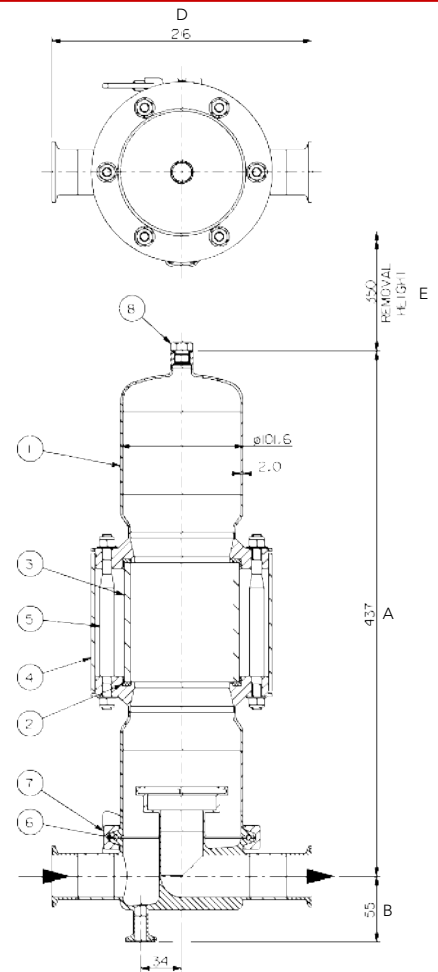
Exceptions:

Group 1 liquids - Explosive

ATEX:

Compliant 94/9/EC, level CE Ex II 2 GD c X

Technical drawings for each individual housing showing dimensions, volume, weights, maximum temperatures and design pressures available on request.



Ordering Guide

76A1	1	7	A	F	15	L	1	V	S
No of Stacks	Cartridge Length	Cartridge End Cap Style	Closure Style	Mounting	Connection	Connection Type	Materials	Finish	Seal
01 - 1 Stack	1 - Single 10" 2 - Double 20" 3 - Triple 30"	7 - Code 7	A - Cast Vee Clamp X - DIN Screwed Closure	F - 1/4" BSP vent G - 1/4" Hygienic vent H - 1 1/2" T / C Vent only, No clamp/blank J - 1 1/2" T / C with 1/4" Hygienic vent, No clamp/blank R - 1/4" Hygienic vent valve assembly with PTFE seal and Staubli RBE.03.6025 S - 1 1/2" T / C with 1/4" Hygienic vent valve assembly with PTFE seal and Staubli RBE.03.6025, No Clamp/blank	10 - 1" 15 - 1 1/2" 20 - 2"	L - BS4825-3 Tri Clamp C - BS4504 Flange PN16 H - ANSI Flange 150# M - DIN11851 Coupling N - RJTM Coupling P - SMSM Coupling R - IDFM Coupling	1 - 316 St St. (L Grade)	V - 0.4µm Ra Finish, Degrease sump, electropolished base	S - Silicone T - PTFE/Envelope V - Viton E - Ethylene Propylene F - FEP/Silicone G - FEP/Viton

Example: 76A117AF15L1VS - 76 Series ClearView, 1 x 10" Code 7 cartridge, cast vee clamp closure, 1/4" BSP vent, 1 1/2" Tri Clamp connections. St. Steel construction with pickle, 0.4µm Ra Finish, Degrease sump, electropolished base, Silicone seal.

AMAZON FILTERS LTD.

ALBANY PARK ESTATE, FRIMLEY ROAD
CAMBERLEY, SURREY, GU16 7PG
ENGLAND

Tel. +44 (0) 1276 670600
Fax. +44 (0) 1276 670101
Email. sales@amazonfilters.co.uk
Web. www.amazonfilters.com

Blue H2O Filtration Pty Ltd

The Filtration Specialists

+61 (03) 9564 7029

www.bhftechnologies.com.au

