

76 SERIES

Hygienic Style Single Stack

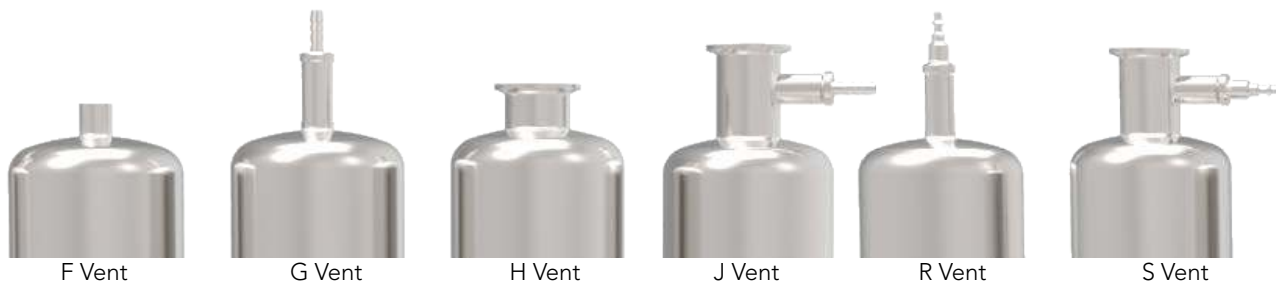


The **76 Series** single cartridge housing is a high quality product specifically designed for critical applications. It is manufactured to provide a 0.4µm Ra crevice free sanitary finish on all internal surfaces. The hygienic design ensures the housing is easy to clean and can be sanitised or steam sterilised readily. The base of the housing is designed to offer lower pressure drops in high flow applications and to ensure easy draining and cleaning.

76 Series housings are suitable for the filtration of both liquids and gases and will accept the full range of Amazon and industry standard code 7 (226) style single open-ended cartridges with nominal lengths of 5, 10, 20 and 30".

Product Features

- 0.4µm Ra internal finish
- Rated at up to 10 bar g and full vacuum in gases
- Suitable for operating temperatures from -10°C up to 150°C
- High quality cast Vee clamp for ease of use, safety and security
- Offered with a wide range of connection sizes and types including Staubli connections
- Available for a range of cartridge lengths
- CE Marked
- Full traceability on all parts, material certification packs available



Features and Benefits

- High quality crevice free surface finish to 0.4µm Ra to assist in maintaining a sanitary system
- Minimal pressure drops in high flow applications
- Designed for easy management of condensate
- Full vacuum rating in liquids and gases
- Suitable for a wide range of process temperatures
- Every housing is etched with a batch number for full traceability
- Full housing customisation service available

Product Range

Amazon Filters design and manufacture an extensive range of liquid filtration systems, providing one of the widest selections of filtration vessels, depth filters and pleated cartridges available today, ensuring excellent process and filter compatibility. As one of Europe's leading manufacturers of filtration systems, Amazon Filters is able to offer a solution to meet all filtration requirements. Amazons' filters are manufactured in clean room conditions and all products come with detailed Product Validation Guides and Technical Support documentation.



AMAZON

76 Series Technical Data

Maximum Operating Conditions

Pressure Range: Liquid: FV / 10 bar g
 Gas Group 1: 10" - FV / 10 bar g
 20" - FV / 9 bar g
 30" - FV / 7 bar g
 Gas Group 2: FV / 10 bar g
 Temperature Range: -10°C / 150°C

Materials of Construction

Body and Closure: 316L St. Steel
 Clamp: 304 St. Steel

Finish

Vessel: 0.4µm Ra Internal Finish, Degrease sump, electropolished base
 0.8µm Ra or better external finish

Connections

Inlet/Outlet: 1½" Tri Clamps

Model	Dimensions					Volume (Litres)	Dry Weight
	A	B	C	D	E		
760117AF15L1VS	413	55	-	216	350	3.8	4.4
760127AF15L1VS	668	55	-	216	600	5.5	5.5

PED Status:

Compliant 97/23/EC
 Gas Group 1 + 2
 Liquids Group 1 + 2

Marking:

CE

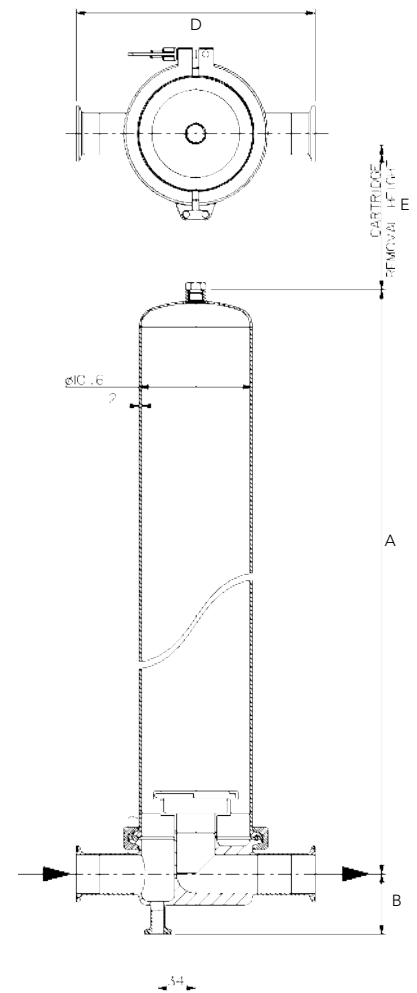
Exceptions:

Group 1 liquids - Explosive

ATEX:

Compliant 94/9/EC, level CE Ex II 2 GD c X

Technical drawings for each individual housing showing dimensions, volume, weights, maximum temperatures and design pressures available on request.



Ordering Guide

7601	0	7	A	F	15	L	1	V	S
No of Stacks	Cartridge Length	Cartridge End Cap Style	Closure Style	Mounting	Conne- tion	Conne- tion Type	Materials	Finish	Seal
01 - 1 Stack	0 - Single 5" 1 - Single 10" 2 - Double 20" 3 - Triple 30"	7 - Code 7	A - Cast Vee Clamp	F - ¼" BSP vent G - ¼" Hygienic vent H - 1½" T / C Vent only, No clamp/blank J - 1½" T / C with ¼" Hygienic vent, No clamp/blank R - ¼" Hygienic vent valve assembly with PTFE seal and Staubli RBE.03.6025 S - 1½ T / C with ¼" Hygienic vent valve assembly with PTFE seal and Staubli RBE.03.6025, No Clamp/blank	10 - 1" 15 - 1½" 20 - 2"	L - BS4825-3 Tri Clamp C - BS4504 Flange PN16 H - ANSI Flange 150# M - DIN11851 Coupling N - RJTM Coupling P - SMSM Coupling R - IDFM Coupling	1 - 316 st.st (L Grade)	V - 0.4µm Ra Finish, Degrease sump, electropo- lished base	S - Silicone T - PTFE/ Envelop V - Viton E - Ethylene Propylene F - FEP/ Silicone G - FEP/ Viton

Example: 760107AF15L1VS = 76 Series, 1 x 5" Code 7 cartridge, cast vee clamp closure, ¼" BSP vent, ½" Tri Clamp drain, 1½" Tri Clamp connections. St.Steel construction with pickle, 0.4µm Ra Finish, Degrease sump, electropolished base, Silicone seal.

AMAZON FILTERS LTD.

ALBANY PARK ESTATE, FRIMLEY ROAD
 CAMBERLEY, SURREY, GU16 7PG
 ENGLAND

Tel. +44 (0) 1276 670600
Fax. +44 (0) 1276 670101
Email. sales@amazonfilters.co.uk
Web. www.amazonfilters.com

Blue H2O Filtration Pty Ltd

The Filtration Specialists

+61 (03) 9564 7029

www.bhftechnologies.com.au

