

# 63 SERIES

## Multi Stack Filter Housing






The **63 Series** Multi cartridge housing is designed to accommodate 3, 5, 7, 10 or 15 stacks of filters up to 40" long. The centre positioned, split shell opening style is equipped with a Cast Vee clamp as standard for liquid pressures ranging from 7 - 10 bar g. Equipped with the inverted dished end, this free standing housing with split shell design is the ideal choice when using Single Open End plug in style cartridges. The simple to lift off lightweight dome allows full and easy access to the cartridges for rapid changeouts. With the ability to accept both standard Double Open End and Single Open End cartridges, this housing will suit most applications where finer levels of filtration are required. Bolted closures are an option available for all models.

The **63 Series** will accept the full range of Amazon and industry standard cartridges with nominal lengths of 20, 30 and 40".

### Product Features:

- Split body design allows easy access to cartridges for filter changeout
- Free standing, easy to install design style
- Vee clamp closures use unique 'W' style seal for reliable leak free operation
- High quality cast Vee band clamps for safety and security
- Cast compression nut with integral PTFE washer for easy, hand tight cartridge sealing
- Wide range of connection sizes and types available
- PED and ATEX Compliant
- WRAS Approved product

Accessories	Part Number
Pressure Gauge and Vent Valve Kit 	60S000016
Pressure Gauge and Auto Vent Valve Kit 	60S000082
Ball Valve and Nipple 	60S000010



## Features and Benefits

- Large selection of housing sizes available so suitable for a wide range of processes
- Integral vent, clean and dirty drains to aid efficient filter changeout
- Each housing is etched with a unique serial number for full traceability
- 'W' style seal for reliable leak free operation
- Cast compression nut with integral PTFE washer for easy, hand tight cartridge sealing
- Wide range of connection sizes and types, cartridge lengths and materials of construction
- Universal cup allows the use of plug in (Code 3 and Code 8) or DOE cartridge styles in the same housing
- WRAS Approved product

## Product Range

Amazon Filters design and manufacture an extensive range of liquid filtration systems, providing one of the widest selections of filtration vessels, depth filters and pleated cartridges available today, ensuring excellent process and filter compatibility. As one of Europe's leading manufacturers of filtration systems, Amazon Filters is able to offer a solution to meet all filtration requirements. Amazons' filters are manufactured in clean room conditions and all products come with detailed Product Validation Guides and Technical Support documentation.



**AMAZON**

# 63 Series Technical Data

## Max Operating Conditions

	6303	6305	6307	6310	6315
Liquids: Vee clamp:	10 bar g	10 bar g	10 bar g	10 bar g	7 bar g
Bolted closure:	FV/10 bar g	FV/10 bar g	FV/10 bar g	FV/10 bar g	FV/10 bar g
Gases: Vee clamp:	7.5 bar g	4.5 bar g	4.5 bar g	2 bar g	1.5 bar g
Bolted closure:	FV/7.5 bar g	FV/4.5 bar g	FV/4.5 bar g	FV/2 bar g	FV/1.5 bar g
Temperature Range:	-10°C / 150°C				

## Materials of Construction

Body:	316L St. Steel
Closure:	Vee Clamp - 304 St. Steel Screw Clamps - Zinc plated carbon steel (Optional Stainless Steel)
Vessel Finish:	Electropolished

## Connections

	6303-05	6310	6315
Inlet/Outlet:	2" BSPM	3" Flange	4" Flange
Vent:	1/4" BSP	1/4" BSP	1/2" BSP
Drain:	1/2" BSPM	1/2" BSPM	1" BSPM

## PED Status:

Fluid Groups: Compliant with 97/23/EC

Liquids Group 2

Gases Group 2

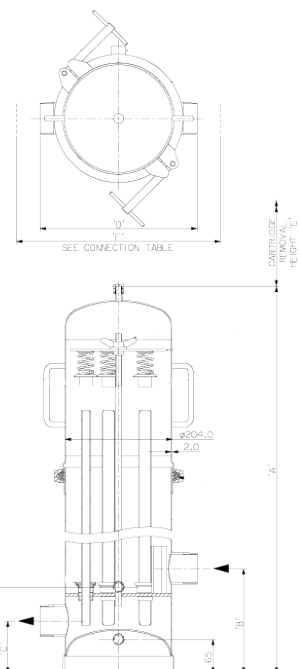
Marking:

CE Marked

## ATEX:

Compliant 94/9/EC, level CE Ex II 2 GD c X

Technical drawings for each individual housing showing dimensions, volume, weights, maximum temperatures and design pressures available on request.



# Ordering Guide

6303	2	0	A	N	20	A	1	E	E
No of Stacks	Cartridge Length	Cartridge End Cap Style	Closure Style	Mounting	Connection	Connection Type	Materials	Finish	Seal
6303 - 3 6305 - 5 6307 - 7 6310 - 10 6315 - 15	2 - 20" (6303 & 6305 only) 3 - 30" 4 - 40"	0 - Code 0 7 - Code 7 8 - Code 8 A - Code A U - Universal	A - Cast Vee Clamp E - Dome cover with Screw Clamps T - Dome cover with St. Steel screw clamps	N - None A - Bolt Down Plate	<b>3-7 Stack</b> 20 - 2" 30 - 3" (6305 + 6307 only) <b>10-15 Stack</b> 30 - 3" 40 - 4"	A - BSPM K - Stub Pipe L - BS4825-3 Tri Clamp M - DIN11851 Coupling N - RJTM Coupling P - SMSM Coupling R - IDFM Coupling S - DIN2633 Flange U - NPTM (2" only)	1 - 316 st.st (L Grade)	E - Electropolished	E - EPDM F - FEP/Silicone (Screw clamps only) S - Silicone (not available on 6315) V - Viton

Example: 630520AN20A1EE = 63 Series, 5 x 20" DOE cartridge, Cast vee clamp closure, No mounting, 2" BSPM connections. 316L St. Steel construction with EPDM gaskets, electropolished all over.  
Note: Not all options are available on every housing, please refer to Sales Office.

# AMAZON FILTERS LTD.

ALBANY PARK ESTATE, FRIMLEY ROAD  
CAMBERLEY, SURREY, GU16 7PG  
ENGLAND

**Tel.** +44 (0) 1276 670600  
**Fax.** +44 (0) 1276 670101  
**Email.** sales@amazonfilters.co.uk  
**Web.** www.amazonfilters.com

## Blue H2O Filtration Pty Ltd

The Filtration Specialists

+61 (03) 9564 7029

[www.bhftechnologies.com.au](http://www.bhftechnologies.com.au)

