

62 SERIES

19-40 Round Cartridge Housings






The **62 Series** Multi cartridge housing is designed to accommodate 3, 5, 10, 15, 19, 24, 30 or 40 stacks of filter cartridges up to 40" long.

The top opening style is equipped with Rathmann style bolted closures as standard for pressures ranging from FV / 10 bar g. Leg mounted and equipped with the more conventional dished end, these housings suit processes where there is a need to allow complete drainage of the clean chamber. This design assists in maintaining the general cleanliness of the process system. With the ability to accept both standard Double Open End and Single Open End cartridges, this leg mounted, free standing housing will suit most applications. Bolted closures are an option available for all models.

The **62 Series** will accept the full range of Amazon and industry standard cartridges ranging from 0.1 to 500µm with nominal lengths of 30 and 40". (40 Stack housings only accept 65mm O/D Cartridges) For information on housings suitable for 3-15 cartridges refer to datasheet '**62 Series-3-15 Round Multi Cartridge Housings**'.

Product Features

- Dished bottom end allows complete drainage of clean chamber, leading to improved system cleanliness
- Rathmann style bolted closures for reliable leak free operation
- Cast compression nut with integral PTFE washer for easy, hand tight cartridge sealing
- Wide range of connection sizes and types, cartridge lengths and materials of construction
- PED and ATEX Compliant
- WRAS Approved product

Accessories	Part Number
Pressure Gauge and Vent Valve Kit 	60S000016
Pressure Gauge and Auto Vent Valve Kit 	60S000082
Ball Valve and Nipple 	60S000010



Features and Benefits

- Integral vent, clean and dirty drains to aid efficient filter change-out
- Each housing hydrostatically pressure tested
- Each housing is etched with a unique serial number for full traceability
- Full housing customisation service available
- Universal cup enables choice of plug in (Code 3 and Code 8) or DOE cartridge styles in the same housing
- WRAS Approved product

Product Range

Amazon Filters design and manufacture an extensive range of liquid filtration systems, providing one of the widest selections of filtration vessels, depth filters and pleated cartridges available today, ensuring excellent process and filter compatibility. As one of Europe's leading manufacturers of filtration systems, Amazon Filters is able to offer a solution to meet all filtration requirements. Amazons' filters are manufactured in clean room conditions and all products come with detailed Product Validation Guides and Technical Support documentation.



AMAZON

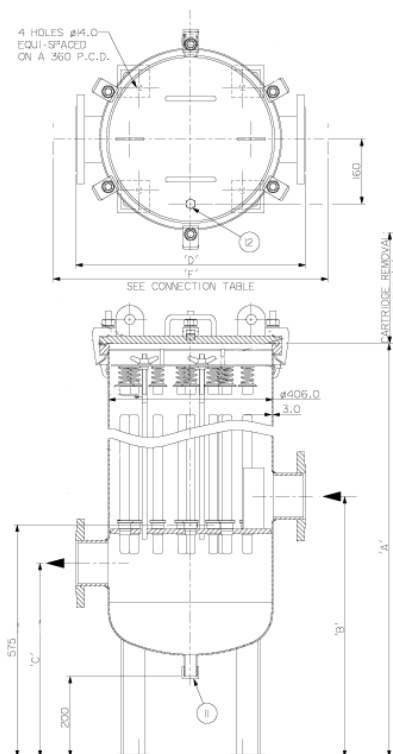
62 Series Technical Data

Max Operating Conditions	6219	6224-40
Pressure Range:	FV / 6 bar g	FV / 10 bar g
Temperature Range:	-10°C / 150°C	-10°C / 150°C

Materials of Construction	6219	6224-40
Body:	316L St. Steel	Zinc plated carbon steel (Optional Stainless Steel)
Screw Clamps:		
Vessel Finish:	6219 - Electropolished	6224, 6230 & 6240 - Pickle, Passivate and External Bead Blast

Connections	6219	6224-40
Inlet/Outlet:	4" Flange	6" Flange
Vent:	1/2" BSPF	1/2" BSPF
Drain:	1" BSPM	1" BSPM
PED Status:	Compliant with 97/23/EC	
Fluid Groups:	Liquids Group 1 + 2	
Marking:	CE Marked	
Exceptions:	Group 1 liquids - Explosive	
ATEX:	Compliant 94/9/EC, level CE Ex II 2 GD c X	

Technical drawings for each individual housing showing dimensions, volume, weights, maximum temperatures and design pressures available on request.



Ordering Guide

6219	3	0	B	B	40	C	1	E	E
No of Stacks	Cartridge Length	Cartridge End Cap Style	Closure Style	Mounting	Connection	Connection Type	Materials	Finish	Seal
6219 - 19 6224 - 24 6230 - 30 6240 - 40 *1	3 - Triple 30" 4 - Quadruple 40"	0 - Code 0 A - Code A U - Universal 8 - Code 8	B - Flat cover with Screw Clamps (6219 only) J - Flat cover with Screw Clamps and davit	B - Fixed Legs	40 - 4" (6219 only) 60 - 6"	C - BS4504 Flange PN16 G - Table 'E' Flange H - ANSI Flange 150# K - Stub Pipe L - BS4825-3 Tri Clamp M - DIN11851 Coupling N - RJTM Coupling P - SMSM Coupling R - IDFM Coupling S - DIN2633 Flange	1 - 316 st.st (L Grade) 2 - 304 st.st (6224, 6234 & 6240 only)	E - Electropolished (6219 only) G - Pickle, passivate & external bead last (6224, 6230 & 6240 only)	E - EPDM F - FEP/Silicone S - Silicone V - Viton

Example: 621930BB40C1EE = 62 Series, 19 x 30" DOE cartridge, Flat cover with Screw Clamps, Fixed Legs, 4" BS4504 Flange PN16 connections. 316L St. Steel construction with EPDM gaskets, electropolished all over.
Note: Not all options are available on every housing, please refer to Sales Office.
*1 40 Stack housings only accept 65mm O/D cartridges.

AMAZON FILTERS LTD.

ALBANY PARK ESTATE, FRIMLEY ROAD
CAMBERLEY, SURREY, GU16 7PG
ENGLAND

Tel. +44 (0) 1276 670600
Fax. +44 (0) 1276 670101
Email. sales@amazonfilters.co.uk
Web. www.amazonfilters.com

Blue H2O Filtration Pty Ltd

The Filtration Specialists
+61 (03) 9564 7029

www.bhftechnologies.com.au

