

61 SERIES

Multi Stack Filter Housing






The **61 Series** multi cartridge housing is available with 3, 5, 10, 15 and 19 element stacks up to 40" long. The top opening style is equipped with a Cast Vee clamp as standard for pressures up to 10 bar g.

These housings are widely used where low capital cost is of prime importance. Being floor mounted and therefore free standing, these housings will suit most pre-filtration applications. Bolted closures are an option available for all models.

The **61 Series** will accept either standard Double Open End or Single Open End cartridges. This includes the full range of Amazon and industry standard cartridges ranging from 0.1 to 500µm with nominal lengths of 10, 20, 30 and 40".

Accessories available include pressure gauge and vent valve kits, drain valves and bolt down plates.

Accessories	Part Number
Pressure Gauge and Vent Valve Kit 	60S000016
Pressure Gauge and Auto Vent Valve Kit 	60S000082
Ball Valve and Nipple 	60S000010

Product Features

- Free standing, easy to install design
- Universal cup allows the use of plug in (Code 3 and Code 8) or DOE cartridge styles in the same housing
- Vee clamp closures use unique 'W' style seal for reliable leak free operation (Not available on 6119)
- High quality cast Vee band clamps for safety and security (Not available on 6119)
- Cast compression nut with integral PTFE washer for easy, hand tight cartridge sealing
- Wide range of connection sizes and types, cartridge lengths and materials of construction
- WRAS Approved product



Features and Benefits

- Integral vent, clean and dirty drain sockets to aid efficient filter changeout
- Universal cup enables choice of plug in (Code 3 and Code 8) or DOE cartridge styles in the same housing
- Every housing is etched with a unique serial number for full traceability
- Available in 316L Stainless Steel
- Full housing customisation service available
- Internally and externally electropolished as standard
- WRAS Approved product

Product Range

Amazon Filters design and manufacture an extensive range of liquid filtration systems, providing one of the widest selections of filtration vessels, depth filters and pleated cartridges available today, ensuring excellent process and filter compatibility. As one of Europe's leading manufacturers of filtration systems, Amazon Filters is able to offer a solution to meet all filtration requirements. Amazons' filters are manufactured in clean room conditions and all products come with detailed Product Validation Guides and Technical Support documentation.



61 Series Technical Data

Maximum Operating Conditions

	6103	6105	6110	6115	6119
Liquids: Vee clamp:	10 bar g	10 bar g	10 bar g	7 bar g	-
Bolted closure:	FV/10 bar g	FV/10 bar g	FV/10 bar g	FV/10 bar g	FV/6 bar g
Gases: Vee clamp:	7.5 bar g	4.5 bar g	2 bar g	1.5 bar g	-
Bolted closure:	FV/7.5 bar g	FV/4.5 bar g	FV/2 bar g	FV/1.5 bar g	FV/1 bar g
Temperature Range:	-10°C / 150°C				

Materials of Construction

Body:	316L St.Steel
Closure:	Vee Clamp - 304 St.Steel Screw Clamp - Zinc plated carbon steel (Optional Stainless Steel)
Vessel Finish:	Electropolished

Connections

	6103-05	6110	6115-19
Inlet/Outlet:	2" BSPM	3" Flange	4" Flange
Vent:	1/4" BSPM	1/4" BSPM	1/2" BSP
Drain:	1/2" BSPM	1/2" BSPM	1" BSPM

PED Status:

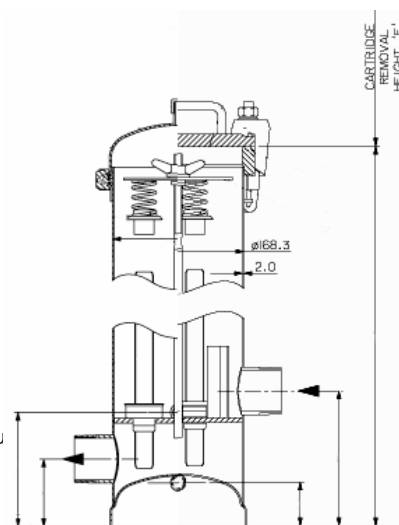
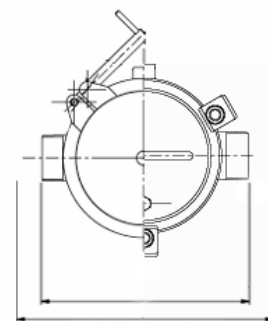
Fluid Groups: Compliant with 97/23/EC
Liquids Group 2
Gases Group 2

Marking: CE Marked

ATEX:

Compliant 94/9/EC, level CE Ex II 2 GD c X

Technical drawings for each individual housing showing dimensions, volume, weights, maximums and design pressures available on request.



Ordering Guide

6103	2	0	A	N	20	A	1	E	E
No of Stacks	Cartridge Length	Cartridge End Cap Style	Closure Style	Mounting	Connection	Connection Type	Materials	Finish	Seal
6103 - 3 6105 - 5 6110 - 10 6115 - 15 6119 - 19	1 - 10" (6103 & 6105 only) 2 - 20" 3 - 30" 4 - 40"	0 - Code 0 A - Code A U - Universal 8 - Code 8	A - Cast Vee Clamp (Not available on 6119) E - Lid with Screw Clamps (6110 & 6115 only) H - Hinged cover with carbon steel screw clamps (6103, 6105 & 6119 only) J - Flat lid with Screw Clamps & Davit (6119 only) W - Hinged cover with St.St screw clamps (6103 & 6105 only)	N - None A - Bolt Down Plate	3-5 Stack 20 - 2" 30 - 3" (6105 Only) 10-19 Stack 30 - 3" 40 - 4"	A - BSPM C - BS4504 Flange PN16 G - Table 'E' Flange H - ANSI Flange 150# K - Stub Pipe L - BS4825-3 Tri Clamp M - DIN11851 Coupling N - RJTM Coupling P - SMSM Coupling R - IDFM Coupling S - DIN2633 Flange U - NPTM (2" only)	1 - 316 st.st (L Grade)	E - Electropolished	E - EPDM F - FEP/Silicone (Bolted cover only) S - Silicone (not available on 6115) V - Viton

Example: 610320AN20A1EE = 61 Series, 3 x 20" DOE cartridge, Cast vee clamp closure, No mounting, 2" BSPM connections. 316L St.Steel construction with EPDM gaskets, electropolished all over.
Note: Not all options are available on every housing, please refer to Sales Office.

AMAZON FILTERS LTD.

ALBANY PARK ESTATE, FRIMLEY ROAD
CAMBERLEY, SURREY, GU16 7PG
ENGLAND

Tel. +44 (0) 1276 670600
Fax. +44 (0) 1276 670101
Email. sales@amazonfilters.co.uk
Web. www.amazonfilters.com

Blue H2O Filtration Pty Ltd

The Filtration Specialists

+61 (03) 9564 7029

www.bhftechnologies.com.au

