

# 59 SERIES

## High Pressure Filter Assembly



The Amazon **59 Series** single stack, high pressure cartridge filter assembly is ideal for use with PVC, sealants and waxes that are used in the Automotive and other industries. These high viscosity products (c.70,000 – 100,000 cP) are used to seal joints on car bodies against water ingress. Due to the physical characteristics of these high viscosity liquids, conventional filtration would not be suitable because of the high operating pressures required to apply these products.

The **59 Series** filter assembly offers a cost effective and practical filtration solution for many high pressure, high viscosity sealant applications. It is available in Carbon Steel and has maximum operating parameters of 350 bar at 110°C with a flow capacity of up to 20 lt/min. They contain 10" long Stainless Steel

high strength filter elements which have been proven to be the best way to prevent any particulate contamination from reaching the car body.

It is unique in its design with an extra thick, high strength cylindrical support core with an easy to clean filter mesh. It is available in a range of filter ratings from 200 to 1200µm - thus providing optimum flexibility for filtering a range of high viscosity products. The filter elements can be easily cleaned ready for re-use, either by jet washing or solvent cleaning.



## Features and Benefits

- Can be operated at very high pressure, up to 350 bar
- Designed for filtration of high viscosity fluids e.g.70,000 – 100,000 cP
- Ideal for sealants, mastics and waxes
- Can be supplied with filter elements with removal ratings of 200µm to 1200µm
- Filter elements can be cleaned and reused

## Product Range

Amazon Filters design and manufacture an extensive range of liquid filtration systems, providing one of the widest selections of filtration vessels, depth filters and pleated cartridges available today, ensuring excellent process and filter compatibility. As one of Europe's leading manufacturers of filtration systems, Amazon Filters is able to offer a solution to meet all filtration requirements. Amazons' filters are manufactured in clean room conditions and all products come with detailed Product Validation Guides and Technical Support documentation.



**AMAZON**

# 59 Series Technical Data

## Maximum Operating Conditions

Body Casing: Carbon Steel  
 Element: 316 Stainless Steel  
 Seal: Ethylene Propylene  
 Weight: 57kg

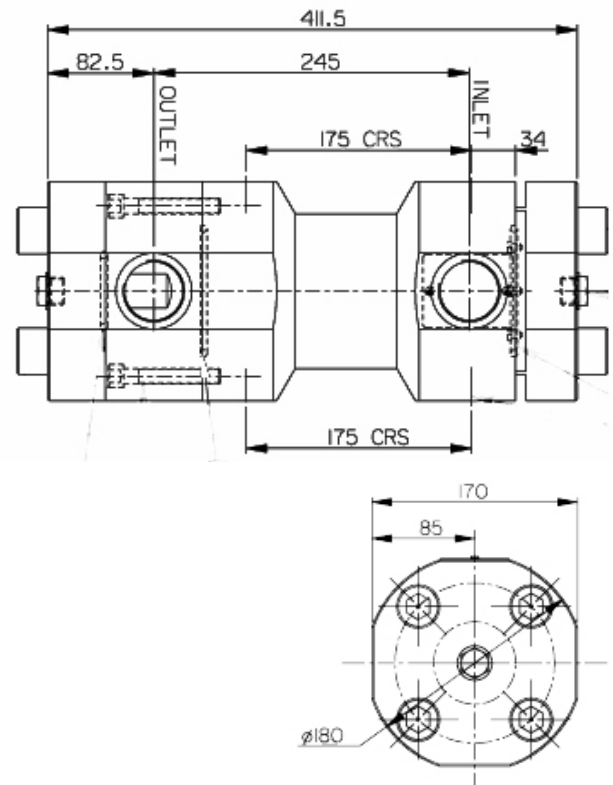
## Operating Conditions

Maximum pressure: 350 Barg  
 Maximum temperature: 110°C  
 Volume: 1.5 Lt

## Connections

Inlet/Outlet: 1½" BSPF  
 Vent: ½" BSF with plug  
 Drain: ½" BSPF with plug

Technical drawings for each individual housing showing dimensions, volume, weights, maximum temperatures and design pressures available on request.



# Ordering Guide

5901	1	0	I	N	15	B	3	S	20001	E
No of Stacks	Cartridge Length	Cartridge End Cap Style	Closure Style	Mounting	Connection	Connection Type	Materials	Finish	Cartridge	Seal
5901 - 1	1 - Single 10"	0 - Code 0	I - Set Screws	N - None	15 - 1 ½"	B - BSPF	3 - Carbon Steel	S - Shot blasted, external paint	20001 - 200µm 40001 - 400 60001 - 600 80001 - 800 120001 - 1200	E - EPDM

Example: 590110IN15B3SE = 59 Series, 1 x 10" DOE cartridge, Set Screws closure, No mounting, 1 ½" BSPF connections. Carbon Steel construction with EPDM gaskets, Shot blasted, external paint bead blast head

## AMAZON FILTERS LTD.

ALBANY PARK ESTATE, FRIMLEY ROAD  
 CAMBERLEY, SURREY, GU16 7PG  
 ENGLAND

**Tel.** +44 (0) 1276 670600  
**Fax.** +44 (0) 1276 670101  
**Email.** sales@amazonfilters.co.uk  
**Web.** www.amazonfilters.com

## Blue H2O Filtration Pty Ltd

The Filtration Specialists

+61 (03) 9564 7029

[www.bhftechnologies.com.au](http://www.bhftechnologies.com.au)

