

# 53 SERIES

## Single Stack Filter Housing



The **53 Series** single cartridge housing is ideal for use in sensitive gas, steam and pulsating pressure environments. With the ability to accept both standard Double Open End and Single Open End cartridges, this single stack housing uses a DIN threaded closure that has proved successful in a wide variety of applications such as aerosol filling lines and nitrogen purge systems for beverage and pharmaceutical applications.

The **53 Series** will accept the full range of Amazon and industry standard cartridges ranging from 0.1 to 500µm with nominal lengths of 5, 10, 20 and 30".





### Product Features

- DIN threaded closure allows higher operating pressures
- Suitable for gas, steam, and pulsating pressure environments
- Lightweight, high specification investment cast head and top ring
- Easy to use tie rod assembly design ensures cartridge centralisation (for a reliable knife edge seal) that enables the use of either 9.75" or 10" cartridge length configurations or multiples) in the same housing.
- Dual purpose head accepts SOE code 3 and DOE cartridges
- SOE code 7 and code B adaptors available
- Available in 316L stainless steel or Alloy 22 for maximum compatibility
- Wide range of connection size and types, cartridge lengths and materials of construction
- PED Compliant to Cat I
- Full traceability on all parts, material certification packs available
- Standard vessel rated to 28 bar g, high pressure vessel rated to 40 bar g



Double Open Ended

Single Open Ended

Accessories	Part Number
Pressure Gauge and Vent Valve Kit 	53S010003
Ball Valve and Nipple 	60S000010
Stand 	50S010012
Mounting Bracket 	50S010003

## Features and Benefits

- Investment Cast head (avoids the porosity & inclusion problems associated with lower quality sand castings)
- Integral vent and drain sockets to aid efficient filter changeout complete with PTFE washer
- Unique interchangeable configuration enables choice of plug in or DOE cartridge styles in the same housing
- Every housing is etched with a serial number for full traceability
- Full housing customisation service available
- Available in both 316L Stainless Steel and Alloy 22

## Product Range

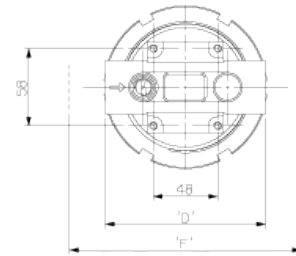
Amazon Filters design and manufacture an extensive range of liquid filtration systems, providing one of the widest selections of filtration vessels, depth filters and pleated cartridges available today, ensuring excellent process and filter compatibility. As one of Europe's leading manufacturers of filtration systems, Amazon Filters is able to offer a solution to meet all filtration requirements. Amazons' filters are manufactured in clean room conditions and all products come with detailed Product Validation Guides and Technical Support documentation.



# 53 Series Technical Data

## Maximum Operating Conditions

Pressure Range:	Standard	High Pressure
Liquid:	FV / 28 bar g	FV / 40 bar g
Gas Group 1:	10" - FV / 20 bar g	10" - FV / 20 bar g
	20" - FV / 12 bar g	20" - FV / 12 bar g
	30" - FV / 9 bar g	30" - FV / 9 bar g
Gas Group 2:	FV / 28 bar g	10" - FV / 40 bar g
		20 & 30" - FV / 36 bar g



## Materials of Construction

Body and Closure:	316L St. Steel
	Alloy 22
Seal:	Viton

## Finish

Vessel: Externally polished sump, bead blast head

## Connections

Inlet/Outlet:	1" BSPF
Vent:	¼" BSPF with Plug
Drain:	¼" BSPF with Plug

Model	Dimensions					Volume (Litres)	Dry Weight
	A	B	C	D	E		
10"	341	-	-	120	300	2.2	3.0
20"	595	-	-	120	554	3.7	4.0
30"	849	-	-	120	808	5.1	5.0

## PED Status:

Compliant with 97/23/EC

## Fluid Groups:

Gas Group 1 + 2  
Liquids Group 1 + 2

## Marking:

CE

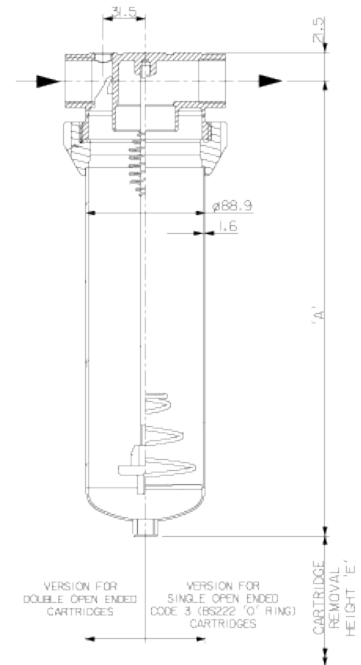
## Exceptions:

Group 1 liquids - Explosive

## ATEX:

Compliant 94/9/EC, level CE Ex II 2 GD c X

Technical drawings for each individual housing showing dimensions, volume, weights, maximum temperatures and design pressures available on request.



# Ordering Guide

5301	1	0	X	N	10	B	1	C	V
No of Stacks	Cartridge Length	Cartridge End Cap Style	Closure Style	Mounting	Connection	Connection Type	Materials	Finish	Seal
5301 - 1	0 - 5" 1 - Single 10" 2 - Double 20" 3 - Triple 30"	0 - Code 0 B - Code B 3 - Code 3 7 - Code 7 I - MCY1000 Insert*1	X - DIN Screwed closure (Std) Y - DIN Screwed closure (High Pressure)*2	N - None E - Bracket	10 - 1" 15 - 1 ½" 20 - 2"	<b>Standard</b> B - BSPF (1" Only) C - BS4504 Flange PN16 E - BS4504 Flange PN40 H - ANSI Flange 150# J - ANSI Flange 300# <b>High Pressure*2</b> B - BSPF (1" Only) W - BS4504 Flange PN63 Y - ANSI Flange 600#	1 - 316 st.st (L Grade) 4 - Alloy 22	C - Externally polished sump, bead blast head	F - FEP/ Silicone V - Viton S - Silicone G - FEP/ Viton

Example: 530110XN10B1CV = 53 Series, 1 x 10" DOE cartridge, DIN Screwed closure, No mounting, 1" BSPF connections. St. Steel constructions with Viton gaskets, externally polished sump with bead blast head. \*1 Can not be converted to accept code 3 cartridges. \*2 High Pressure option is only available with Y closure, B, W or Y Connection type and D Finish.

# AMAZON FILTERS LTD.

ALBANY PARK ESTATE, FRIMLEY ROAD  
CAMBERLEY, SURREY, GU16 7PG  
ENGLAND

**Tel. +44 (0) 1276 670600**

**Fax. +44 (0) 1276 670101**

**Email. sales@amazonfilters.co.uk**

**Web. www.amazonfilters.com**

## Blue H2O Filtration Pty Ltd

The Filtration Specialists

+61 (03) 9564 7029

[www.bhftechnologies.com.au](http://www.bhftechnologies.com.au)

