

51 SERIES JUNIOR

Junior Filter Housing



51 Series junior cartridge housings are renowned for their high quality design and manufacture. They are suitable for a wide range of standard Single Open End junior cartridges containing either pleated depth media or membranes.

Therefore housings can be used in a wide variety of final and pre-filter applications where liquids or gases need processing.



Product Features

- Quick release Vee Clamp Closure for easy opening
- Lightweight, high specification investment cast head
- Available in 316L stainless steel or Alloy 22 for maximum compatibility
- Rated to 10 bar g liquid, 10 bar g gas and full vacuum
- Can be used in temperatures from -10°C up to 150°C
- PED Compliant to Sound Engineering Practice
- Full traceability on all parts, material certification packs available

Applications

- Small to medium sized batch processes
- Product development and pilot plant applications
- Vessel vents
- Compressed air and gas lines
- General low to medium flow rates applications



Features and Benefits

- Investment Cast head (avoids the porosity & inclusion problems associated with lower quality sand castings)
- Integral vent or drain socket to aid efficient filter changeout complete with PTFE washer
- Every housing is etched with a serial number for full traceability
- Full housing customisation service available
- 316L Stainless Steel construction
- CE marked

Product Range

Amazon Filters design and manufacture an extensive range of liquid filtration systems, providing one of the widest selections of filtration vessels, depth filters and pleated cartridges available today, ensuring excellent process and filter compatibility. As one of Europe's leading manufacturers of filtration systems, Amazon Filters is able to offer a solution to meet all filtration requirements. Amazons' filters are manufactured in clean room conditions and all products come with detailed Product Validation Guides and Technical Support documentation.



AMAZON

51 Series Junior Technical Data

Maximum Operating Conditions

Pressure Range: Liquid: FV / 10 bar g
Gas: FV / 10 bar g
Temperature Range: -10°C / 150°C

Materials of Construction

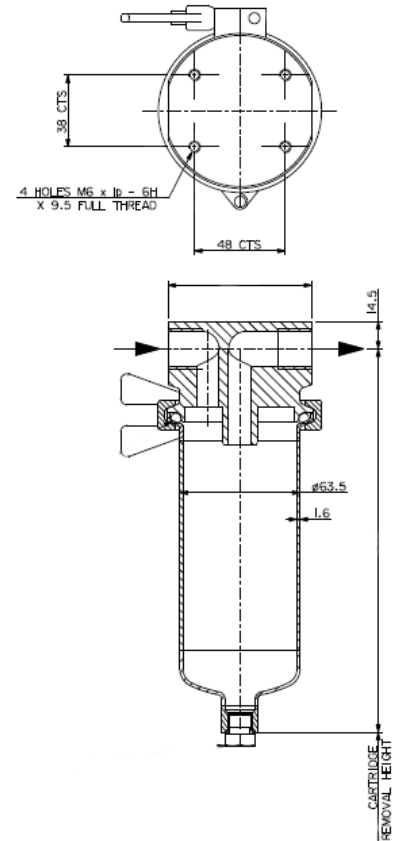
Body and Closure: 316L St.Steel
Clamp: 304 St.Steel
Seal: Ethylene Propylene

Finish

Vessel: Externally polished sump, electropolished head

Connections

Inlet/Outlet: 1/2" BSPF
Vent/Drain: 1/4" BSPF with Plug



| Model | Dimensions | | | | | Volume (Litres) | Dry Weight |
|----------------|------------|---|---|----|-----|-----------------|------------|
| | A | B | C | D | E | | |
| 51010JVN05B1DE | 203 | - | - | 76 | 135 | 0.43 | 2.3 |

PED Status:

Compliant with 97/23/EC

Fluid Groups:

Gas Group 1 + 2
Liquids Group 1 + 2

Marking:

CE

Exceptions:

Group 1 liquids - Explosive

ATEX:

Compliant 94/9/EC, level CE Ex II 2 GD c X

Technical drawings for each individual housing showing dimensions, volume, weights, maximum temperatures and design pressures available on request.

Ordering Guide

| No of Stacks | Cartridge Length | Cartridge End Cap Style | Closure Style | Mounting | Connection | Connection Type | Materials | Finish | Seal |
|--------------|------------------------------------|-------------------------|---------------|-------------------------|------------|-----------------|----------------------------|---|---|
| 5101 - 1 | 0 - Single 5" A - Single 2 1/2" | J - Junior | V - Vee Clamp | N - None E - Bracket | 05 - 1/2" | B - BSPF | 1 - 316 st.st (L Grade) | D - Externally polished sump, electropolished head | E - EPDM F - FEP/Silicone S - Silicone V - Viton |

Example: 51010JVN05B1DE = 51 Series, 1 x Junior cartridge, Vee Clamp closure, No mounting, 1/2" BSPF connections, St.Steel construction with EPDM gaskets, externally polished sump with electropolished head.

AMAZON FILTERS LTD.

ALBANY PARK ESTATE, FRIMLEY ROAD
CAMBERLEY, SURREY, GU16 7PG
ENGLAND

Tel. +44 (0) 1276 670600
Fax. +44 (0) 1276 670101
Email. sales@amazonfilters.co.uk
Web. www.amazonfilters.com

Blue H2O Filtration Pty Ltd

The Filtration Specialists

+61 (03) 9564 7029

www.bhfttechnologies.com.au

