

51 SERIES B-BLUE



Single Stack Housing for B-Blue Cartridges

The **51 Series** single cartridge housing range is renowned for its high quality design and manufacture. These housings are designed to accept large diameter pleated and depth media **B-Blue** cartridges. They are fitted with a Vee clamp closure and are suitable for a wide variety of liquid and gas filtration applications.



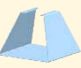

The **51 Series** housing will accept the full range of Amazon **B-Blue** cartridges with removal ratings ranging from 0.5 to 150µm and with nominal lengths of 10" and 20".



Product Features

- Quick release Vee Clamp Closure for easy opening
- Lightweight, high specification design
- Dual purpose head accepts SOE code 3 and DOE cartridges
- Suitable for either 10" or 20" cartridges
- Available in 316L stainless steel
- Wide range of inlet/outlet connection size and types available
- PED Compliant to Sound Engineering Practice
- Full traceability on all parts, material certification packs available
- Rated at 10 bar liquid, 10 bar gas
- Can be supplied with a differential pressure gauge



Accessories	Part Number
Pressure Gauge and Vent Valve Kit 	60S000016
Ball Valve and Nipple 	60S000010
Stand 	50S010012
Mounting Bracket 	56S000001

Features and Benefits

- Investment Cast head (avoids the porosity & inclusion problems associated with lower quality sand castings)
- Integral vent and drain sockets to aid efficient filter change-out
- Unique interchangeable configuration enables choice of SOE or DOE cartridge styles in the same housing
- Every housing is etched with a batch number for full traceability
- Full housing customisation service available
- High specification bead blast finish
- Fully traceable 316L stainless steel construction

Product Range

Amazon Filters design and manufacture an extensive range of liquid filtration systems, providing one of the widest selections of filtration vessels, depth filters and pleated cartridges available today, ensuring excellent process and filter compatibility. As one of Europe's leading manufacturers of filtration systems, Amazon Filters is able to offer a solution to meet all filtration requirements. Amazons' filters are manufactured in clean room conditions and all products come with detailed Product Validation Guides and Technical Support documentation.



51 Series B-Blue Technical Data

Maximum Operating Conditions

Pressure Range: Liquid: FV / 10 bar g
 Gas: FV / 10 bar g
 Temperature Range: -10°C / 150°C

Materials of Construction

Body and Closure: 316L St.Steel
 Clamp: 304 St.Steel
 Finish
 Vessel: Bead blast

Connections

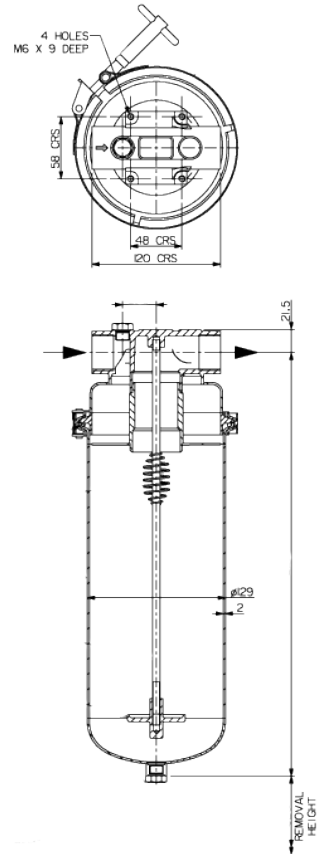
Inlet/Outlet: 1" BSPF
 Vent: 1/4" BSPF with Plug
 Drain: 1/4" BSPF with Plug

Model	Dimensions					Volume (Litres)	Dry Weight
	A	B	C	D	E		
510110VN10B1BEBB	417	-	-	120	320	4.2	4.4 kgs
510120VN10B1BEBB	671.5	-	-	120	574	7.3	6 kgs

PED Status: Compliant with 97/23/EC
 Fluid Groups: Gas Group 2
 Liquids Group 1 + 2
 Marking: 10" :- Sound Engineering Practice
 20" :- CE Marked
 Exceptions: Group 1 liquids - Explosive

ATEX: Compliant 94/9/EC, level CE Ex II 2 GD c X

Technical drawings for each individual housing showing dimensions, volume, weights, maximum temperatures and design pressures available on request.



Ordering Guide

5101	1	0	V	N	10	B	1	B	E
No of Stacks	Cartridge Length	Cartridge End Cap Style	Closure Style	Mounting	Connection	Connection Type	Materials	Finish	Seal
5101 - 1	1 - Single 10" 2 - Double 20"	0 - Code 0 3 - Code 3	V - Pressed Vee Clamp	N - None E - Bracket K - Double Vent L - Double Vent and Bracket T - Differential pressure gauge and Bracket* ¹	10 - 1"	B - BSPF C - BS4504 Flange PN16 H - ANSI Flange 150# L - Tri Clamp M - DIN11851 Coupling N - RJTM Coupling P - SMSM Coupling R - IDFM Coupling S - DIN2633 Flange T - NPTF	1 - 316 st.st (L Grade)	B - Bead blast all over	E - EPDM F - FEP/Silicone S - Silicone V - Viton

Example: 510110VN10B1BEBB = 51 B-Blue Series, 1 x 10" DOE cartridge, pressed vee clamp closure, No mounting, 1" BSPF connections. St.Steel construction with EPDM gaskets, bead blast all over.
¹ Only rated for temperatures of -10°C/93°C

AMAZON FILTERS LTD.

ALBANY PARK ESTATE, FRIMLEY ROAD
 CAMBERLEY, SURREY, GU16 7PG
 ENGLAND

Tel. +44 (0) 1276 670600
Fax. +44 (0) 1276 670101
Email. sales@amazonfilters.co.uk
Web. www.amazonfilters.com

Blue H2O Filtration Pty Ltd

The Filtration Specialists

+61 (03) 9564 7029

www.bhftechnologies.com.au

