

28 SERIES

Plastic Cartridge Housings



28 Series plastic filter housings have been designed for use in a wide range of liquid applications. Most standard industrial disposable filter elements will fit this attractive range of filter housings, which include versions in polypropylene with clear or opaque bowls. All housings will accept the industry standard Double Open End range of cartridges and the **28 Series** Standard model also accepts Single Open End code 9 cartridges. Each of these models can be supplied with optional extras such as mounting brackets and releasing spanners.

Product Features

S-Line

- 5 & 10" with 3/8" BSPF connections
- Available for Code 0, DOE
- Optional clear and opaque bowls

Standard

- 10 & 20" with 3/4" BSPF connections
- Available for Code 0, DOE and Code 9, SOE
- Optional clear and opaque bowls
- High temperature Polyamide version
- Optional pressure release button



B-Blue

- 10 & 20" with 1 & 1/2" BSPF connections
- Available for Code 0, DOE
- Optional clear and opaque bowls
- Option pressure release button

The complete range has been subjected to numerous cyclic and burst tests, to ensure consistently safe and reliable performance.

In addition, all plastics used have been subjected to total compatibility tests and are suitable for use with potable water.

Accessories	S-Line	Standard	B-Blue
Releasing Spanner	28SPF00000	28SPF00001	28SPF00002
Mounting Bracket	28SPF00003	28SPF00003	28SPF00004

Mounting brackets come complete with fixing screws for ease of installation.
Releasing spanners are recommended for removing the bowl.

Features and Benefits

- Choice of clear or opaque bowls for all 5, 10 and 20" versions
- Models available to accept the conventional 2.5" O/D and B-Blue 4.5" O/D cartridges
- Wide chemical compatibility using PP, ABS, Polycarbonate, Polyamide and AS materials of construction
- Polyamide version suitable for use in temperatures up to 73°C
- All models have BSPF threads for ease of installation
- Push button pressure and air release available on most models
- Robust and rugged designs suitable for most industrial applications

Product Range

Amazon Filters design and manufacture an extensive range of liquid filtration systems, providing one of the widest selections of filtration vessels, depth filters and pleated cartridges available today, ensuring excellent process and filter compatibility. As one of Europe's leading manufacturers of filtration systems, Amazon Filters is able to offer a solution to meet all filtration requirements. Amazons' filters are manufactured in clean room conditions and all products come with detailed Product Validation Guides and Technical Support documentation.



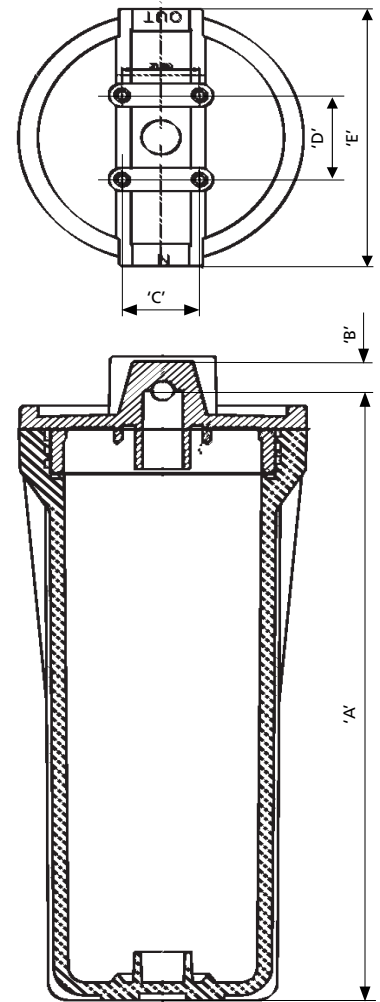
28 Series Technical Data

Maximum Operating Conditions

Model	Materials of Construction		Max Pressure	Max Temp	Connections
	Head	Bowl			
Clear S-Line	PP	AS	6.2 bar g	45°C	3/8"
Clear Standard	PP	AS	6.2 bar g	45°C	3/4"
Clear B-Blue	ABS	PC	6.2 bar g	45°C	1 or 1 1/2"
Blue S-Line	PP	PP	8.6 bar g	45°C	3/8"
Blue Standard	PP	PP	8.6 bar g	45°C	3/4"
Blue B-Blue	ABS	PP	6.2 bar g	45°C	1 or 1 1/2"
Polyamide	PA	PA	8.6 bar g	73°C	3/4"

As with all plastic housings, the units should not be subjected to water hammer or shock conditions and should be protected from freezing.

Model	Dimensions (mm)					Volume (Litres)	Box Qty	Boxed Weight (kg)
	A	B	C	D	E			
280100XN03BPNB	165	16	31	39	119	0.6	15	10.15
280110XN03BPNB	285	17	31	39	119	1.2	15	13.45
280110XV07BPNB	290	23.5	58	56	133	1.4	12	16.35
280120XV07BPNB	545	26	58	56	133	2.9	8	16.85
280110XN07BHNH	290	23.5	58	56	133	1.4	12	16.35
280110XV10BPNBBB	315	31	77	77	185	3.6	6	15.65
280120XV15BPNBBB ¹	565	34	77	77	185	6.9	6	22.7
280100XN03BCNB	165	16	31	39	119	0.6	15	10.15
280110XN03BCNB	285	17	31	39	119	1.2	15	13.45
280110XV07BCNB	290	23.5	58	56	133	1.4	12	16.35
280120XV07BCNB	545	26	58	56	133	2.9	8	16.85
280110XV10BCNBBB	315	31	77	77	185	3.6	6	15.65
280120XV15BCNBBB ¹	565	34	77	77	185	6.9	6	22.7



PED Status: Compliant with 97/23/EC
Fluid Groups: Liquids Group 2 (Sound Engineering Practice)

Ordering Guide

2801	0	0	X	N	03	B	P	N	B	
No of Stacks	Cartridge Length	Cartridge End Cap Style	Closure Style	Vent	Connection	Connection Type	Materials	Finish	Seal	Options
2801 - 1	0 - Single - 5" 1 - Single - 10" 2 - Double - 20"	0 - Code 0 (Double open Ended)	X - ACME Screwed Closure	N - No Vent V - Vent Only	03 - 3/8" 07 - 3/4" 10 - 1" 15 - 1 1/2"	B - BSP'F'	S-Line and Standard P - All Reinforced Polypropylene C - Reinforced Polypropylene Head, Clear AS Bowl H - Polyamide B-Blue P - ABS, Polypropylene bowl C - ABS head, clear Polycarbonate bowl	N - None	B - Nitrile V - Viton	BB - B-Blue

Example: 280100XN03BPNB = 28 Series, 1 x 5" DOE cartridge, ACME screwed closure, No vent, 3/8" BSP'F' connections. All polypropylene construction with Nitrile gaskets.
¹Not suitable for original Pentair GAC-20BB Cartridges. Please see dimensions table above for the only part number combinations available.

AMAZON FILTERS LTD.

ALBANY PARK ESTATE, FRIMLEY ROAD
 CAMBERLEY, SURREY, GU16 7PG
 ENGLAND

Tel. +44 (0) 1276 670600
Fax. +44 (0) 1276 670101
Email. sales@amazonfilters.co.uk
Web. www.amazonfilters.com

Blue H2O Filtration Pty Ltd

The Filtration Specialists

+61 (03) 9564 7029

www.bhftechnologies.com.au

